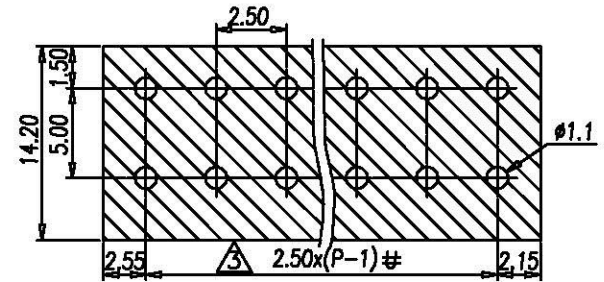


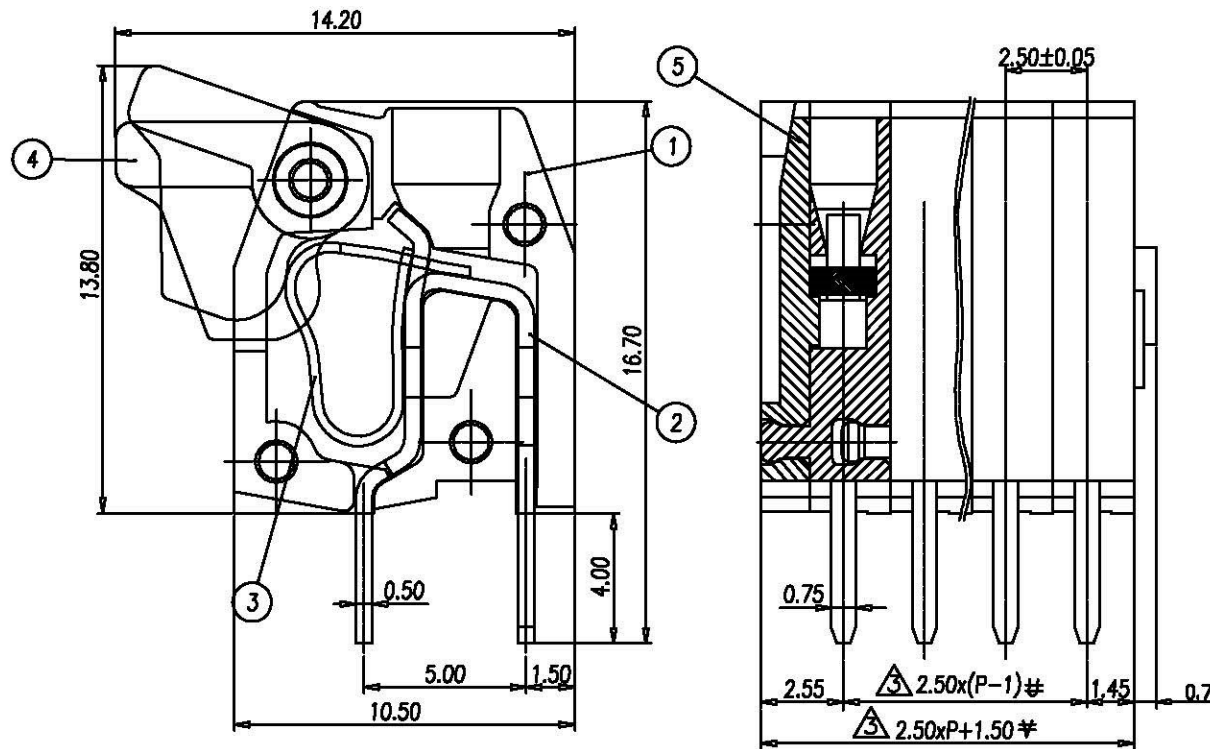
TBX026-D13GE-xx-LF
LEADFREE
RoHS Compliant



P.C.B. LAYOUT(REF)

- NOTES:
1. Rating: 300V 4A
PITCH: 2.50mm
 2. Insulation Withstands Voltage:
AC 1000V/MIN
 3. Insulation Resistance:
500M Ω or more at DC500V
 4. Using Temperature Range:
-40°C~+105°C
 - 5 Suitable Electric Wire: AWG 28~20
 - 6 Undimensioned Tolerances:

\pm	\sim	∇	0.05/10
\perp	\parallel	\equiv	0.2/10
PITCH ERROR			0.05/10
UNDIMENSIONED TOLERANCES			± 0.3



5	END COVER	0119L7XX00	1	PA66	M001
4	LEVER	0119L6XX00	P	POM	W005
3	CLAMP	X000003200	P	STAINLESS STEEL	=
2	SOLDER PIN	0119B00300	P	BRASS	TIN PLATED
1	HOUSING	0119N0XX00	P	PA66	M001
ITEM	NAME OF PART	NO. OF PART	Q'TY	MATERIAL	NOTES

Allconnectors

www.allconnectors.de
Tel.: 0049 711 7009501
70794 Filderstadt - Germany

info@allconnectors.de
Fax: 0049 711 7009504
Kettenerstr. 25

PART NO. TBX026-D13GE-xx

DWG NO. TBX026-D13GE-xx

CHECKED BY CY

TOLERANCES ARE

FILE NO.

DRAWING BY

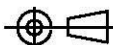
.X \pm 0.2
.XX \pm
.XXX \pm
AWG

DESCRIPTION:

UNIT / mm

SCALE 1:1

PROJECTION



AREA

REVISIONS

HK

DATE