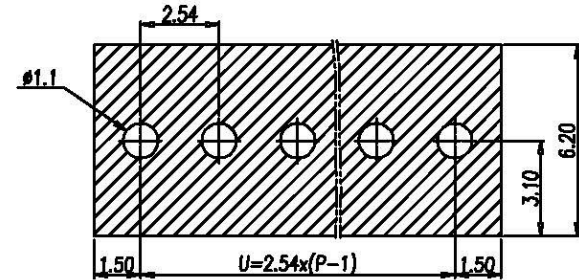
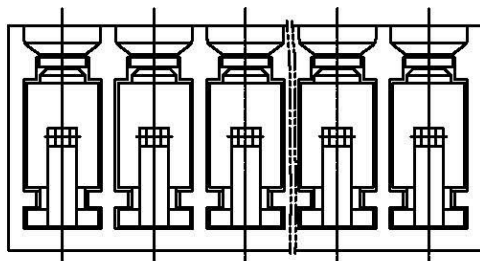
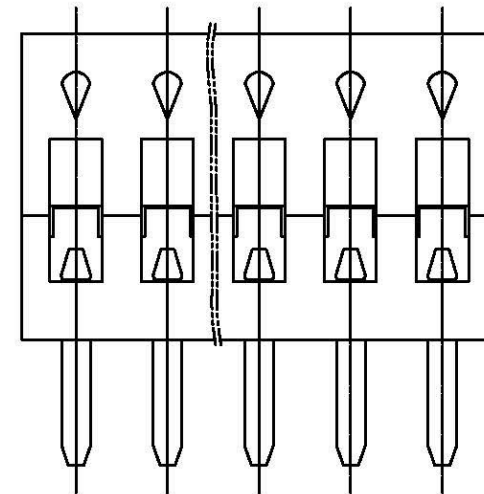
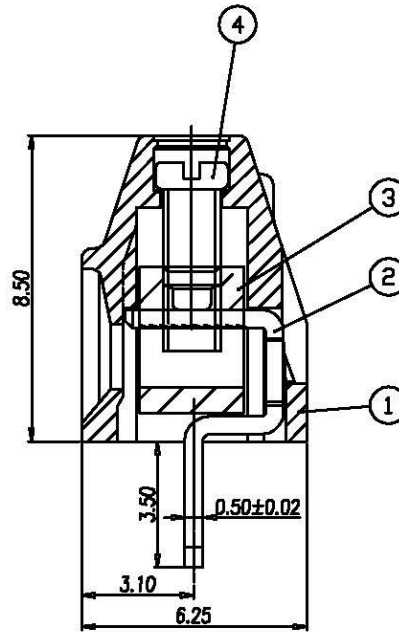
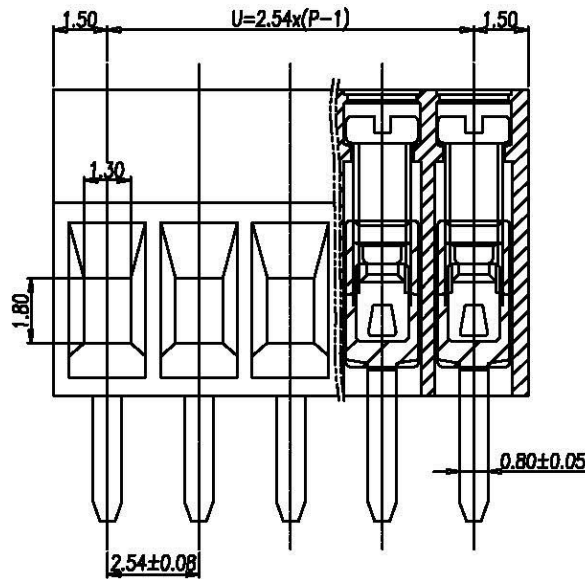


TBH026-D08-xx-LF
LEADFREE
RoHS Compliant



P.C.B. LAYOUT



NOTES:

1. Rating: UL 150V 8A
PITCH: 2.54mm
2. Insulation Withstand Voltage:
AC 1000V/MIN
3. Insulation Resistance:
1000MΩ or more at DC500V
4. Using Temperature Range:
-40°C~+130°C
5. Suitable Electric Wire: AWG28~16
6. Screw Torque Value: 2kgf-cm
7. Undimensioned Tolerances:

4	SCREW	P	STEEL	M1.6x0.35
3	WIRECAGE	P	HARD BRASS	Ni Plated
2	SOLDER PIN	P	COPPER	in Plated
1	HOUSING	1	PA66(V0)	GREEN
ITEM	NAME OF PART	Q'TY	MATERIAL	NOTES

All Connectors

www.allconnectors.de
Tel.: 0049 711 7005503
70794 Filderstadt - Germany

info@allconnectors.de
Fax: 0049 711 7009501
Kettnerstr. 25

PART NO. TBH026-D08-XX

DWG NO. TBH026-D08-XX

FILE NO.

UNIT / mm

SCALE 1:1

CHECKED BY CY

DRAWING BY

PROJECTION



TOLERANCES ARE

.X ± 0.2
.XX ±
.XXX ±
AWG

DESCRIPTION:

AREA

REVISIONS

HK

DATE