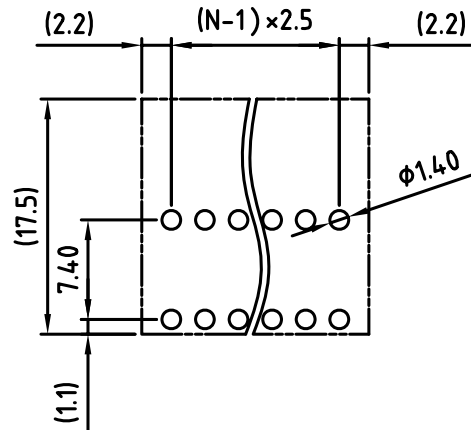
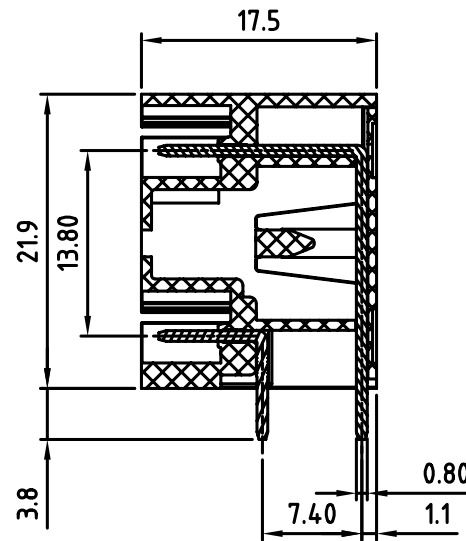


N=Number of contacts



P.C.B. LAYOUT



Material

- Terminal body (Contact pin): Brass Whit Tin plated
- Insulator (housing): Thermoplastic (UL94V-0)

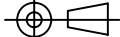
Electrica

- Voltage rating: 125V
- Current rating: 4A
- Withstanding Voltage: 1.25KV
- Operating temperature: -30°C to +105°C
- Soldering temperature: 245°C ± 10°C / 5 Sec

TBX025B1-PRB-xx-LF

LEADFREE

RoHS Compliant

PART NO. TBX025B1-PRB-xx		CHECKED BY CY		TOLERANCES ARE .X ± 0.2 .XX ± .XXX ± AWG	DESCRIP TION:			
DWG NO. TBX025B1-PRB-xx		DRAWING BY						
FILE NO.		PROJECTION 		AREA	REVISIONS	HK	DATE	
UNIT / mm	SCALE 1:1							