

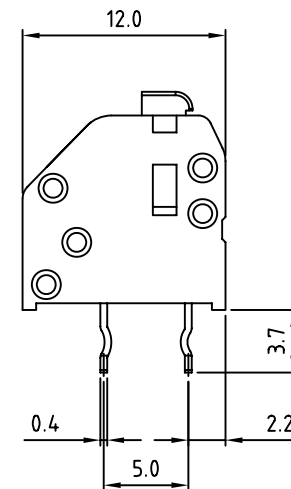
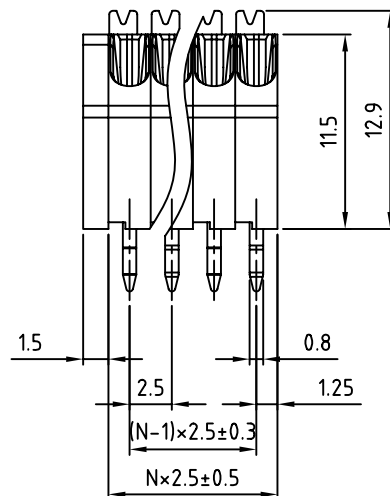
Material

- Terminal body(Contact pin) : PhBz
- Surface of solder tail : Tin plated
- Insulator (housing): Thermoplastic (UL94V-0)

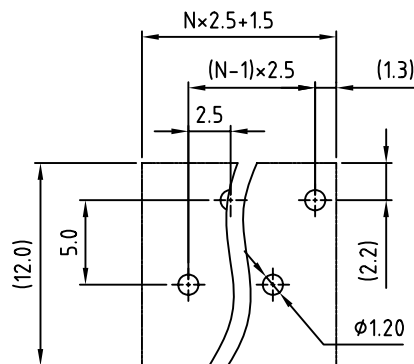
Electrical

- Voltage rating: 150V
- Current rating: 2A
- Wire range:
- Solid wire(AWG): 20-26
- Stranded wire(AWG): 20-26
- Wire strip length: 6-7mm
- Withstanding Voltage: 1.3KV
- Operating temperature: -55°C to +105°C
- Soldering temperature: 245°C±10°C/5 Sec

cULus



N=Number of Contacts



P.C.B Layout

TBX025-A12-xx-LF
LEADFREE
RoHS Compliant

Poles	Tolerance
2P-5P	±0.30
6P-9P	±0.40
10P-13P	±0.50
14P-17P	±0.60
18P-21P	±0.70
22P-24P	±0.80

PART NO. TBX025-A12-xx		CHECKED BY CY		TOLERANCES ARE .X ± 0.2 .XX ± .XXX ± AWG	DESCRIP TION:			
DWG NO. TBX025-A12-xx		DRAWING BY						
FILE NO.		PROJECTION		AREA	REVISIONS	HK	DATE	
UNIT / mm	SCALE 1 : 1							