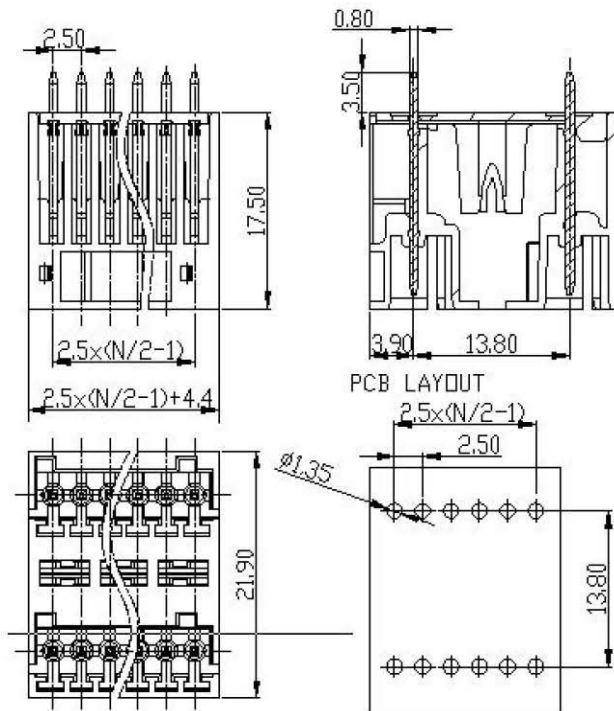
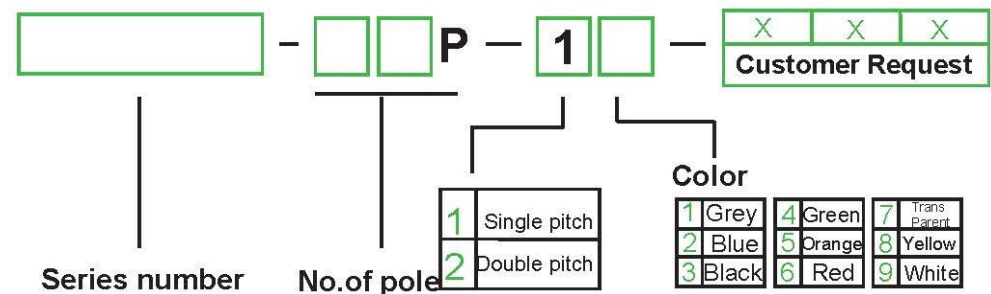


**15EDGVH-2.5**

<b>APPROVAL</b>		
<b>Electrical</b>		
Standard	<b>UL</b>	<b>IEC</b>
Rated voltage	150V	250V
Rated current	5A	5A
Withstanding voltage	AC1500V/1Min	
<b>Mechanical</b>		
Ambient temperature	-40°C~+105 °C	
<b>Dimensions</b>		
Pitch	2.5mm(.098" )	
Poles	2*(2P-12P)	
<b>Material</b>		
Housing	PA66,UL94V-0	
Pin header	Brass,Tin-plated	



### HOW TO ORDER :



	<b>DEGSON ELECTRONICS CO., LTD.</b>
	<b>NAME</b> <b>15EDGVH-2.5</b>