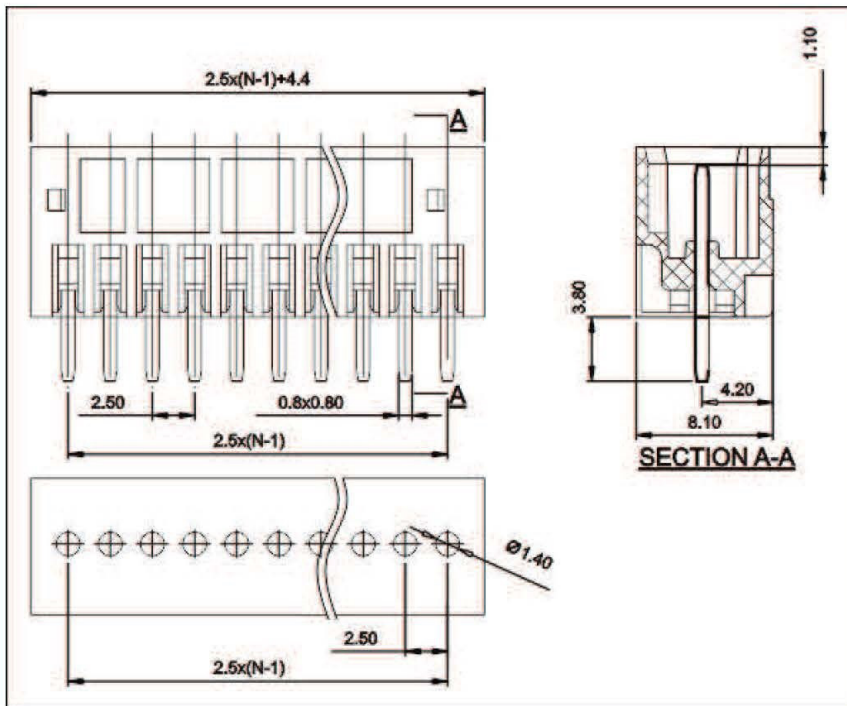
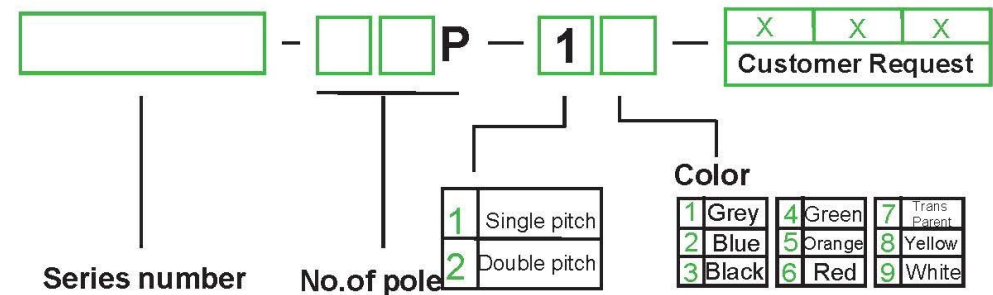


**15EDGVC-2.5**



APPROVAL		
Electrical		
Standard	UL	IEC
Rated voltage	150V	250V
Rated current	4A	5A
Withstanding voltage	AC1500V/1Min	
Mechanical		
Ambient temperature	-40°C~+105 °C	
Dimensions		
Pitch	2.5mm(.098" )	
Poles	2P-12P	
Material		
Housing	PA66,UL94V-0	
Pin header	Brass,Tin-plated	

### HOW TO ORDER :



	<b>DEGSON ELECTRONICS CO., LTD.</b>
	<b>NAME 15EDGVC-2.5</b>