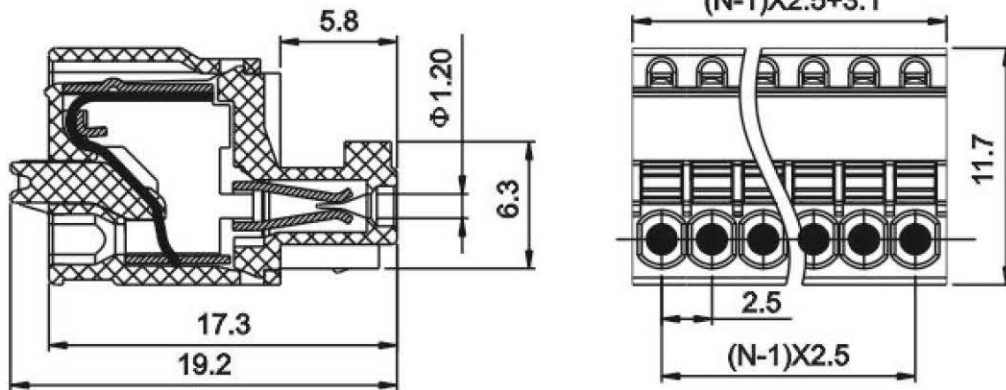






15EDGKD-2.5



APPROVAL		
Electrical		
Standard	UL	IEC
Rated voltage	150V	250V
Rated current	4A	5A
Wire range	20AWG	0.2-0.5mm ²
Withstanding voltage	AC1500V/1Min	
Mechanical		
Ambient temperature	-40°C~+105°C	
Strip length	8mm	
Dimensions		
Pitch	2.5mm(.098")	
Poles	2P-12P	
Material		
Housing	PA66,UL94V-0	
Contact	Phosphor bronze	
Wire guard	Stainless steel	

HOW TO ORDER :

- P - -

X X X
Customer Request


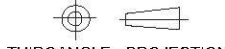
Series number

No. of pole

1	Single pitch
2	Double pitch

Color

1	Grey	4	Green	7	Trans Parent
2	Blue	5	Orange	8	Yellow
3	Black	6	Red	9	White

 mm (INCH)	 DEGSON ELECTRONICS CO., LTD.
 THROANGLE PROJECTION	NAME 15EDGKD-2.5