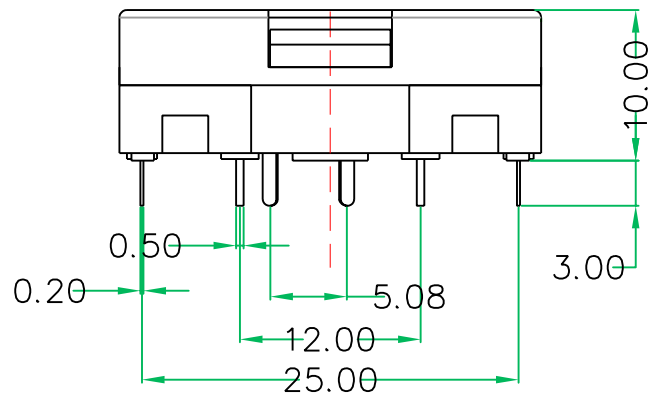
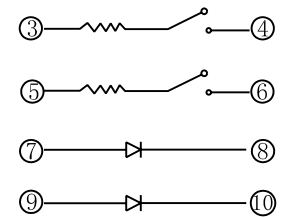
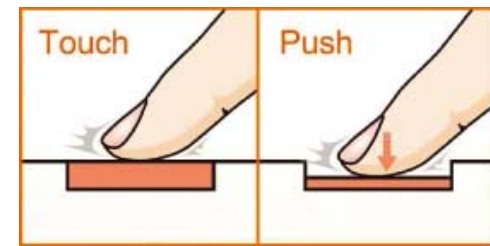
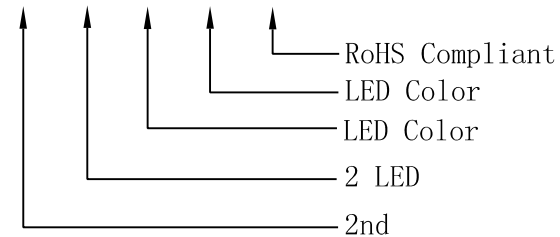


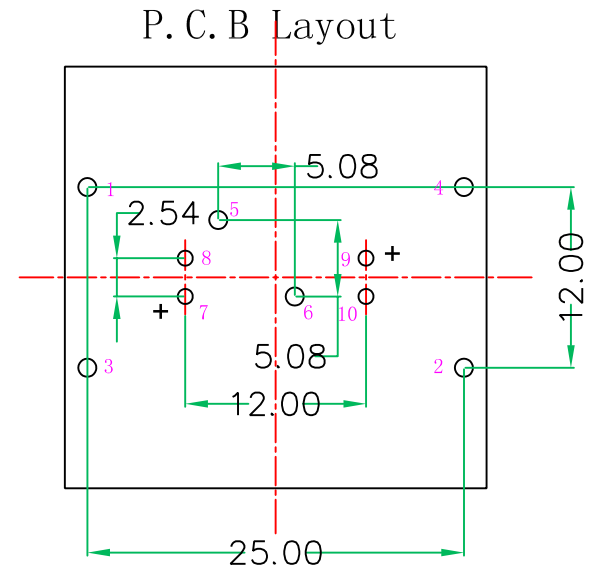
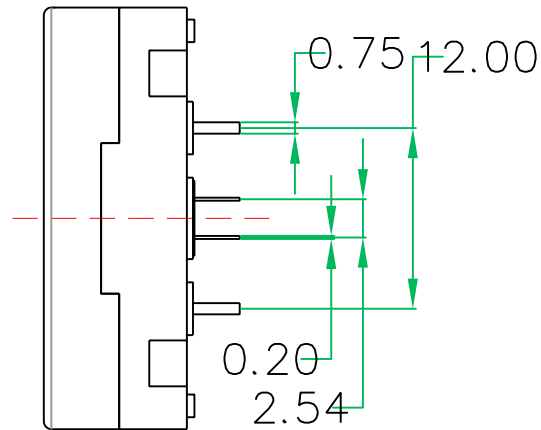
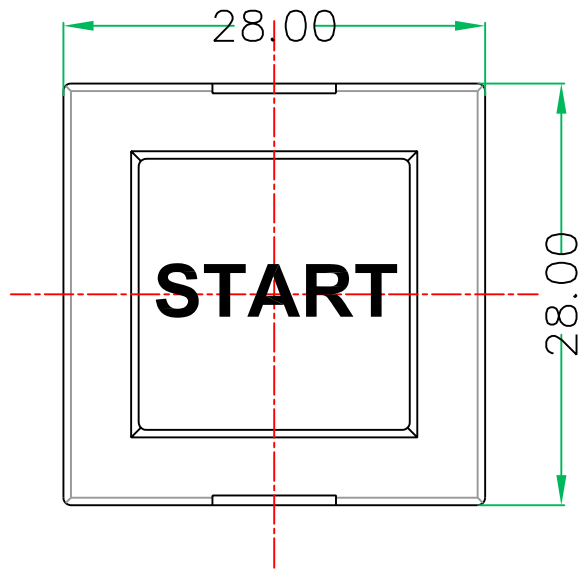
Circuit (2nd)



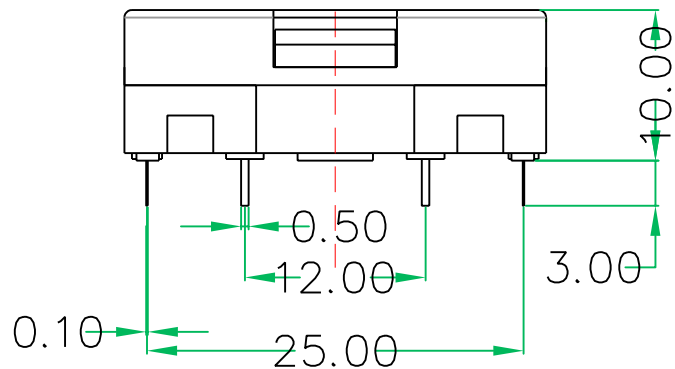
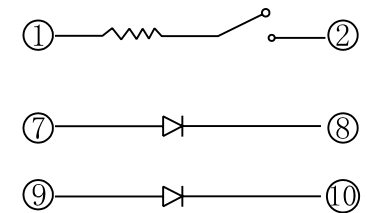
LTP-28-2-2-X-X-H



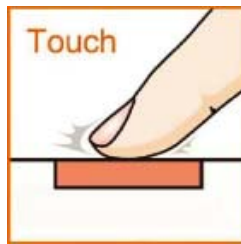
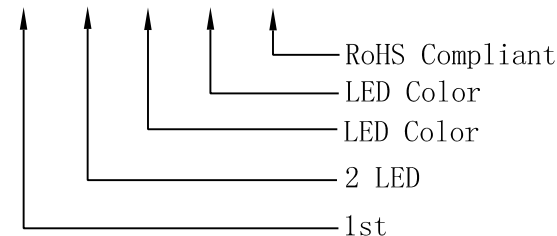
Tolerance						Approved		Quantity	1	All Connectors		PART NAME:	
L<10	±0.2					Checked		Scale	1:1	<small>www.allconnectors.eu info@allconnectors.eu Tel. +49 (0)711 / 358 110 20 Fax +49 (0)711 / 358 110 25</small>		Touch Switches	
10<L<30	±0.3	1	A0	New	Ken	10.1.6	Draw	Unit	mm	Material: Finished:		PART NO.	
L>30	±0.5	NO.	Edition	Modified Contents	Name	Date	Design	Edition	A0			LTP-28-2-2-X-X-H	



Circuit (1st)



LTP-28-1-2-X-X-H



Tolerance						Approved		Quantity	1	All Connectors		PART NAME:	
L<10	±0.2					Checked		Scale	1:1	<small>www.allconnectors.eu info@allconnectors.eu Tel. +49 (0)711 / 358 110 20 Fax +49 (0)711 / 358 110 25</small>		Touch Switches	
10<L<30	±0.3	1	A0	New	Ken	10.1.6	Draw	Unit	mm	Material:		PART NO.	
L>30	±0.5	NO.	Edition	Modified Contents	Name	Date	Design	Edition	A0	Finished:		LTP-28-1-2-X-X-H	