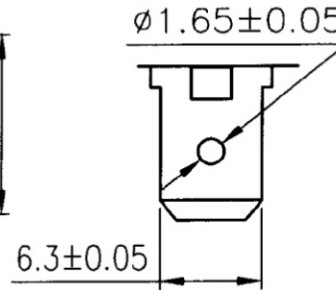


PANEL CUTOUT



MODEL NO:

Rating: 16A 125VAC 1/4HP  
16A 250VAC 1/3HP

Approvals: UL/CSA

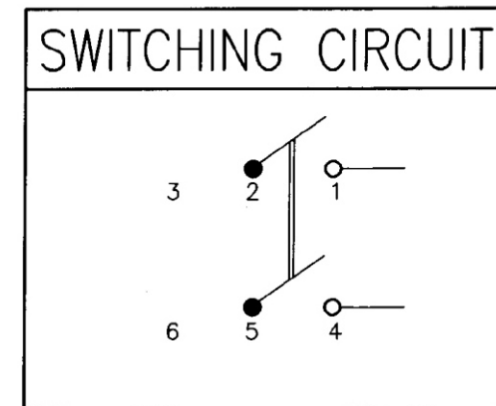
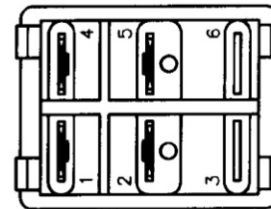
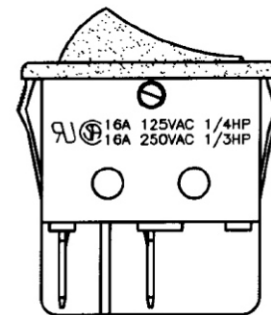
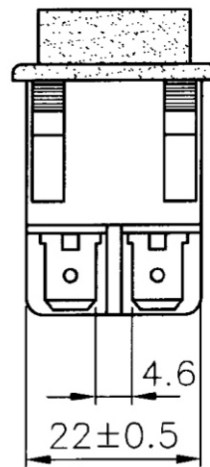
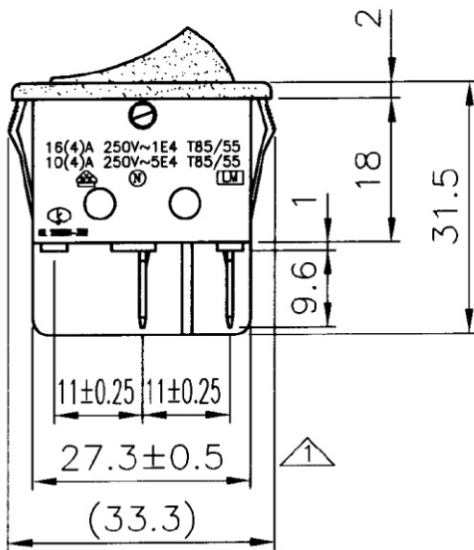
Rating: 16(4)A 250V~1E4 T85/55  
10(4)A 250V~5E4 T85/55

Approvals: VDE/NEMKO/KTL

RSW-Q6-0604-LF

LEADFREE

RoHS Compliant



PART NO. RSW-Q6-0604		CHECKED BY CY		TOLERANCES ARE .X ± 0.2 .XX ± 0.1 .XXX ± AWG	DESCRIP TION:				
DWG NO. RSW-Q6-0604		DRAWING BY							
FILE NO.		PROJECTION		AREA	REVISIONS	HK	DATE		
UNIT / mm	SCALE 1:1								