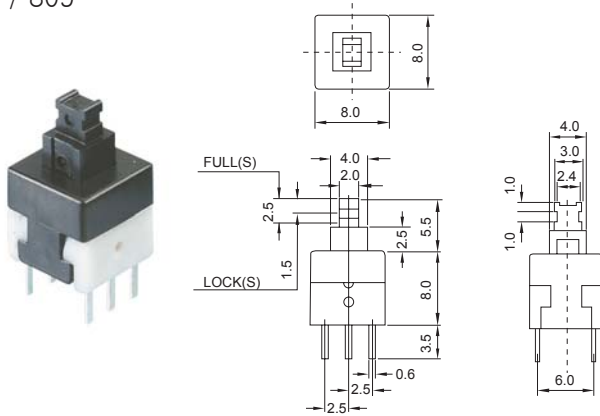


SPECIFICATIONS

INSULATION RESISTANCE	: >100mΩ DC250V
WITH VOLTAGE	: AC250V 1 minute
CONTACT RESISTANCE	: <50mΩ
SOLDERING TEMPER.	: 250°C max. 3 sec
MECHANICAL LIFE	: 100,000 cycles
ELECTRICAL LIFE	: 10,000 cycles
AMBIENT TEMPER. USED	: -20°C to 65°C
AMBIENT HUMIDITY USED	: <85% RH
OPERATION FORCE	: 160 ± 80g

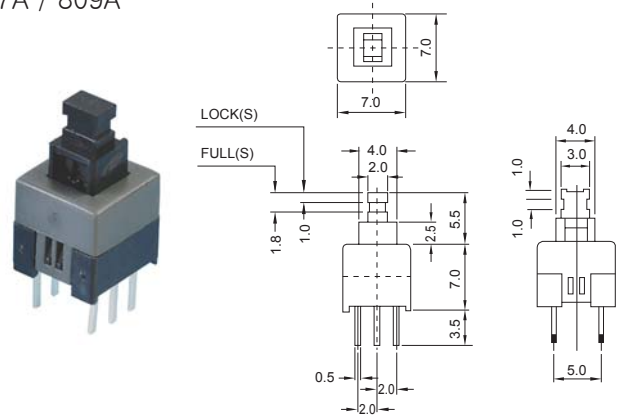
*RoHS Compliant: Please add a code "H" to part number. For example: 807-H

807 / 809



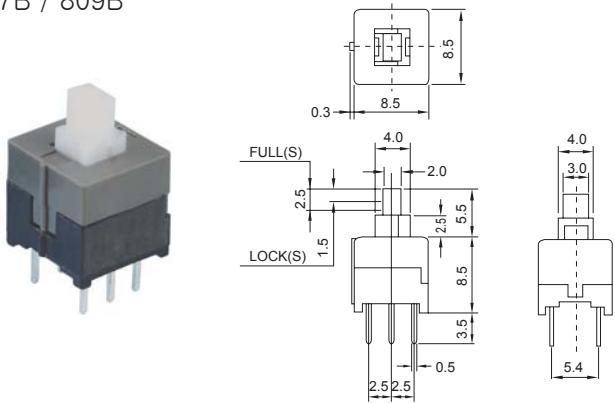
DC 30V 0.1A

807A / 809A



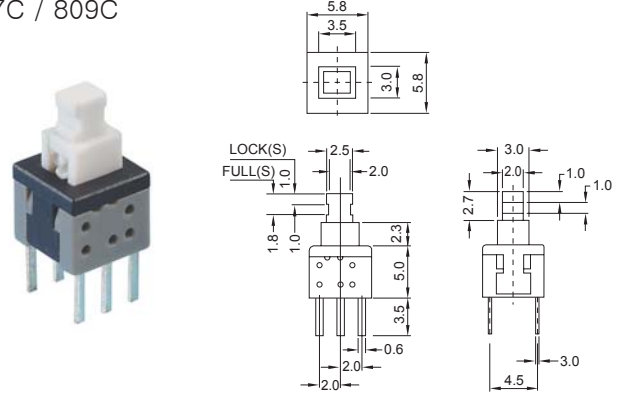
DC 30V 0.1A

807B / 809B



DC 30V 0.3A, DC 16V 0.5A

807C / 809C



DC 30V 0.1A