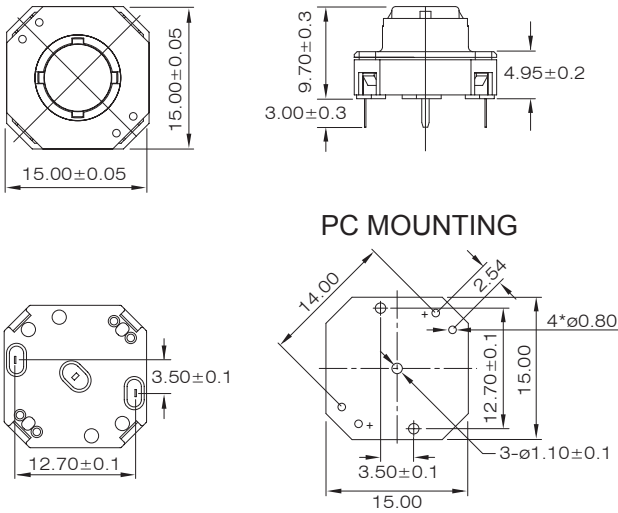
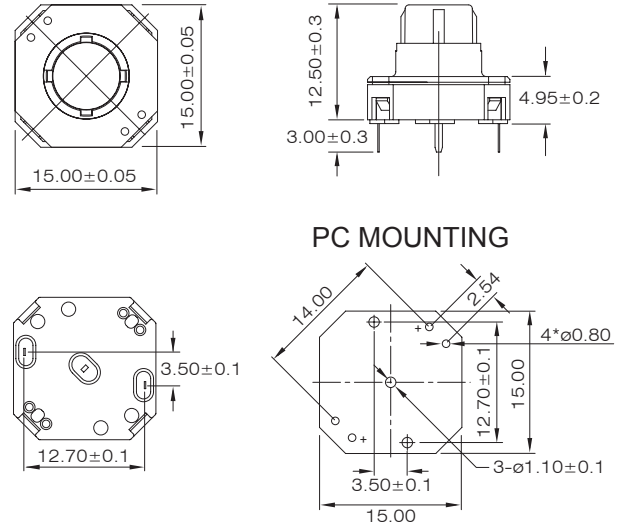
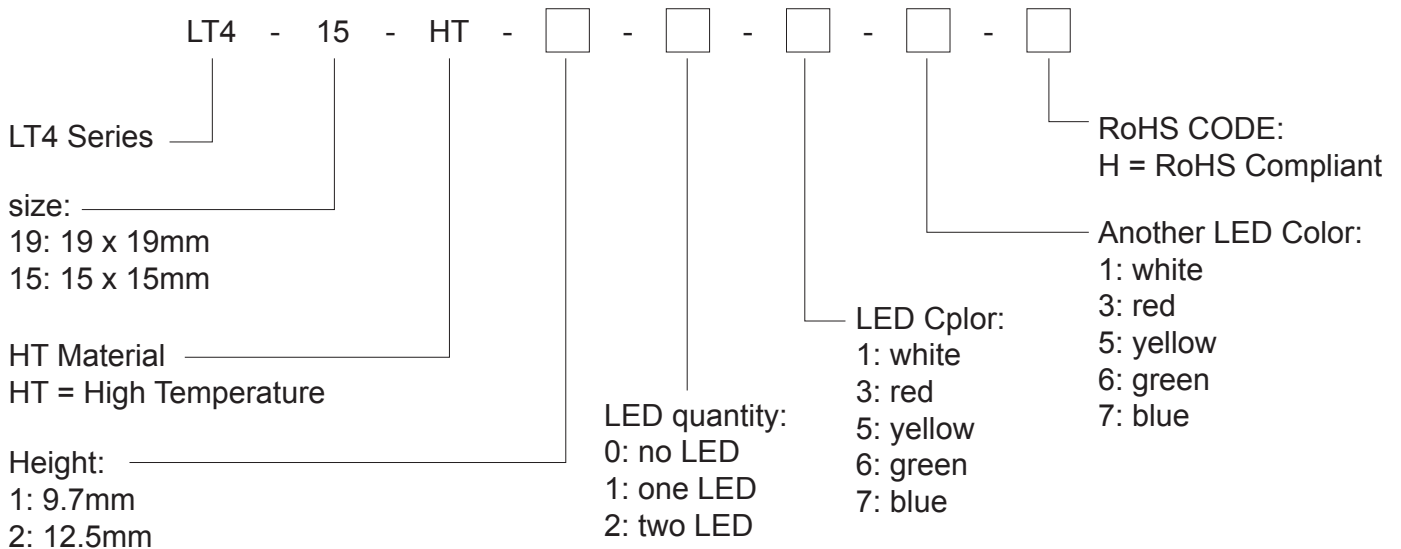



**SPECIFICATIONS**

CONTACT RATING: 100mA, 42VAC/DC  
 MECHANICAL LIFE: 1,000,000 cycles  
 CONTACT RESISTANCE: 100mΩ max.(initial)  
 INSULATION RESISTANCE: 1,000MΩ min.  
 DIELECTRIC STRENGTH: 1,500VAC  
 OPERATING TEMPERATURE: -25°C to +70°C


**LT4-15-1**

**LT4-15-2**
**HOW TO ORDER**


INDEX

TOGGLE

ROCKER

SLIDE

PUSH BUTTON

DIP

TACT