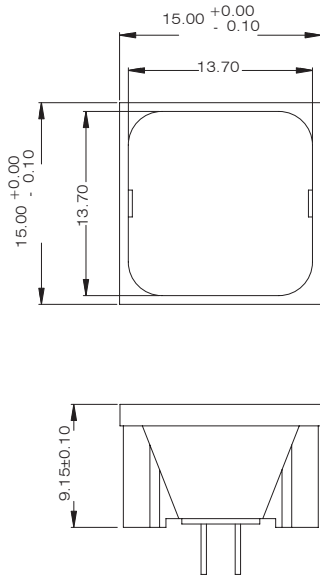




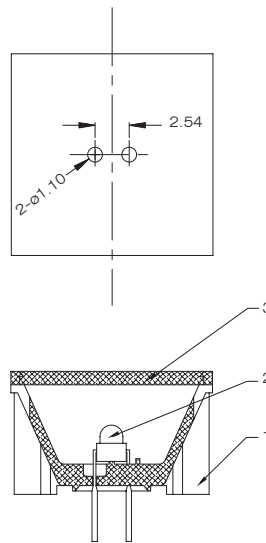
LT3

SPECIFICATIONS

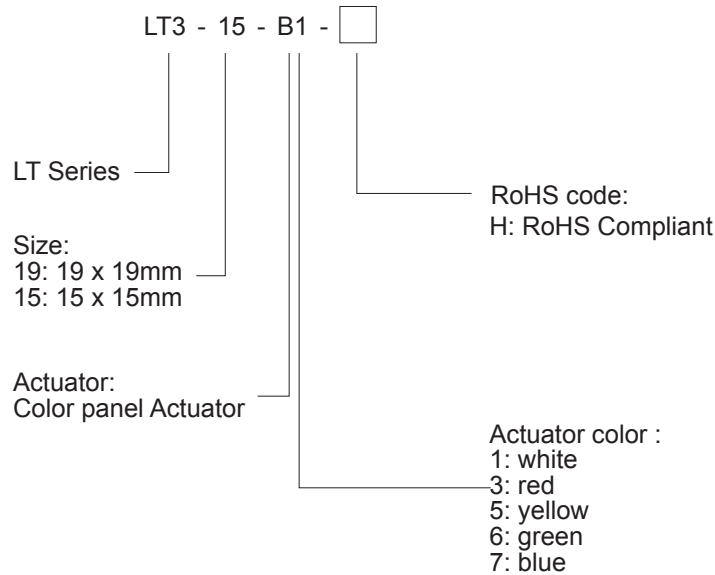
- REVERSE VOLTAGE: 5V
- REVERSE CURRENT(-Vr=5V)(for Red & Yellow & BLUE): 10 μ A
- REVERSE CURRENT(V_R = 5V)(for Green): 10 μ A
- OPERATING TEMPERATURE RANGE: -40°C ~ 85°C
- STORAGE TEMPERATURE RANGE: -40°C ~ 85°C
- LEAD SOLDERING TEMPERATURE: 260°C for 3 Seconds



PC MOUNTING



HOW TO ORDER



INDEX

TOGGLE

ROCKER

SLIDE

PUSHBUTTON

DIP

TACT