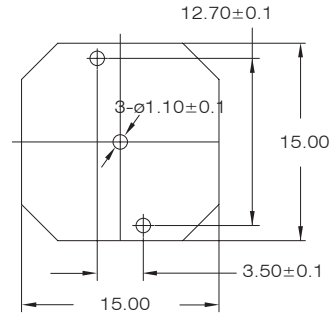
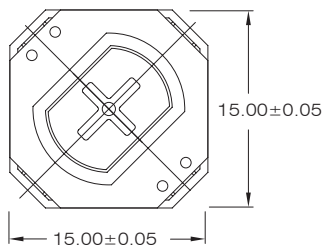
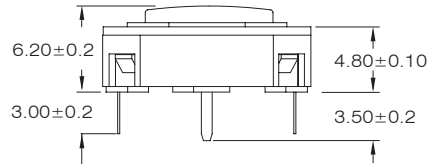
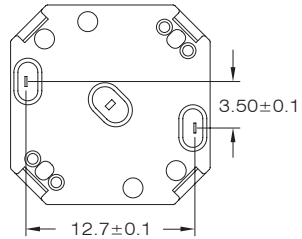


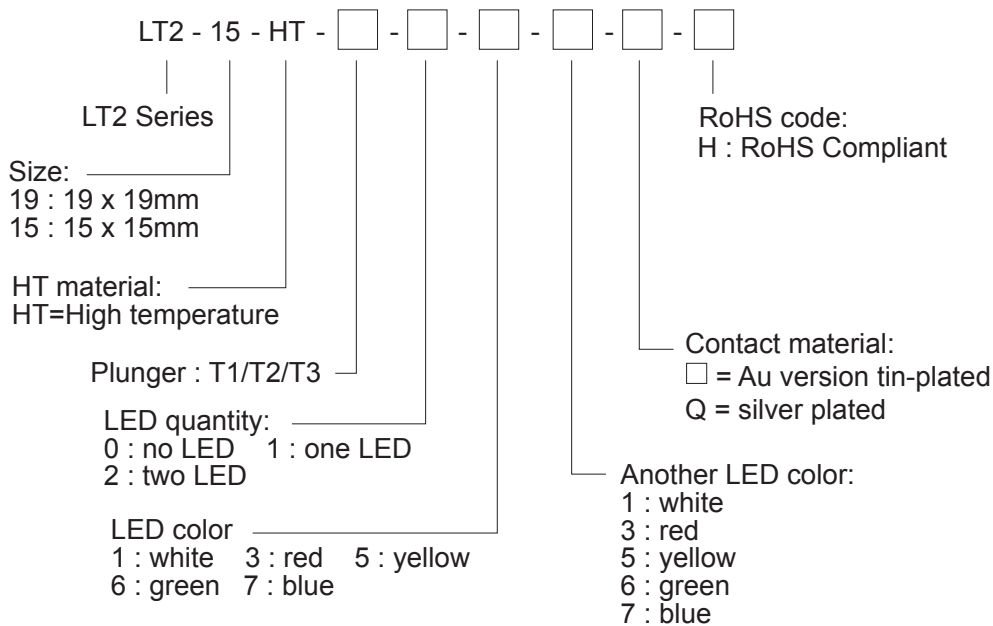


## SPECIFICATIONS

**CONTACT RATING:** 100mA, 42VAC / DC  
**MECHANICAL LIFE:** 1,000,000 cycles  
**CONTACT RESISTANCE:** 100mΩ max. (initial)  
**INSULATION RESISTANCE:** 1,000MΩ min.  
**DIELECTRIC STRENGTH:** 2,000VAC  
**OPERATION FORCE:** 3N±0.75N max.



## HOW TO ORDER



INDEX

TOGGLE

ROCKER

SLIDE

PUSHBUTTON

DIP

TACT