

**SPECIFICATIONS**

CONTACT RATING: 100mA max, 42 VAC/DC  
 MECHANICAL LIFE: 1,000,000 cycles  
 CONTACT RESISTANCE: 100mΩ max. (initial)  
 INSULATION RESISTANCE: 1,000MΩ min.  
 DIELECTRIC STRENGTH: 2,000VAC  
 OPERATION FORCE: 3N ± 0.75N max

**MATERIALS**

SWITCH HOUSING: PBT/PA46 (UL94 V-0)  
 TRANSPARENT ACTUATOR: PC (UL94 V-0)  
 ACTUATOR: ABS  
 CONTACT: Stainless, Au version tin-plated  
 TERMINALS: Brass, Au version tin-plated  
 TERMINAL SEAL: Epoxy



LT3 Signal indicator

INDEX

TOGGLE

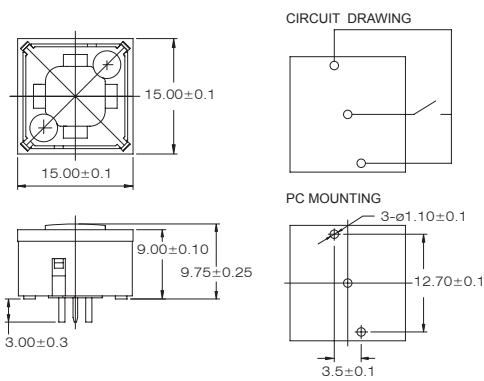
ROCKER

SLIDE

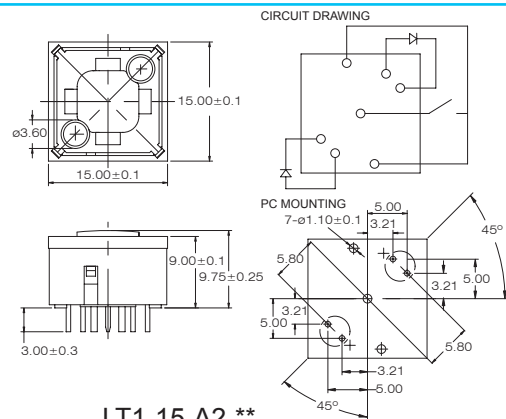
PUSH BUTTON

DIP

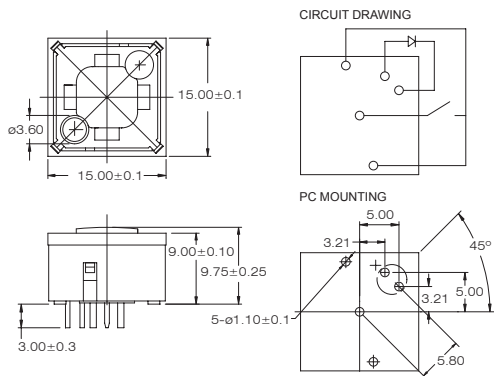
TACT



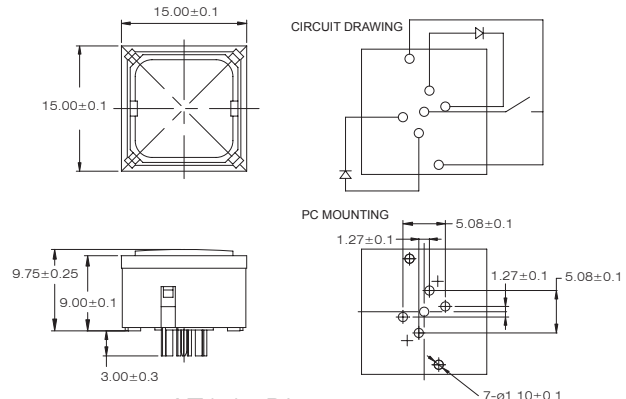
LT1-15-A0



LT1-15-A2-\*\*



LT1-15-A1-\*



LT1-15-B\*

**HOW TO ORDER**

LT1 - 19 - HT - A0 -  -  -  -

LT1 Series  
 Size:  
 19 : 19 x 19mm  
 15 : 15 x 15mm

HT material:  
 = none  
 HT= High temperature

Actuator:  
 Transparent actuator

LED quantity:  
 0 : no LED  
 1 : one LED  
 2 : two LED

LED Color:  
 1 : white  
 3 : red  
 5 : yellow  
 6 : green  
 7 : blue

RoHS code:  
 H : RoHS Compliant

Contact material:  
 : Au version tin-plated  
 Q : silver plated

Another LED Color:  
 1 : white  
 3 : red  
 5 : yellow  
 6 : green  
 7 : blue

LT1 - 19 - HT - B1 -  -  /  -  -

LT1 Series  
 Size:  
 19 : 19 x 19mm  
 15 : 15 x 15mm

HT material:  
 HT= High temperature

Actuator:  
 Color panel actuator

Actuator color:  
 1 : white  
 3 : red  
 5 : yellow  
 6 : green  
 7 : blue

RoHS code:  
 H : RoHS Compliant

Contact material:  
 : Au version tin-plated  
 Q : silver plated

Another LED Color:  
 =standard  
 1 : white 3 : red  
 5 : yellow 6 : green  
 7 : blue

LED color:  
 =standard  
 1 : white 3 : red  
 5 : yellow 6 : green 7 : blue

LED quantity:  
 = standard (the actuator is as same as the color of LED)  
 0 : no LED  
 1 : one LED  
 2 : two LED(the actuator is not as same as the color of LED)