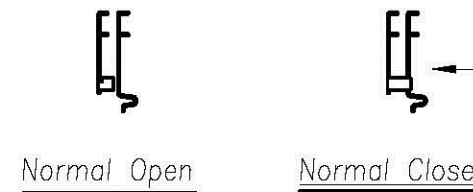
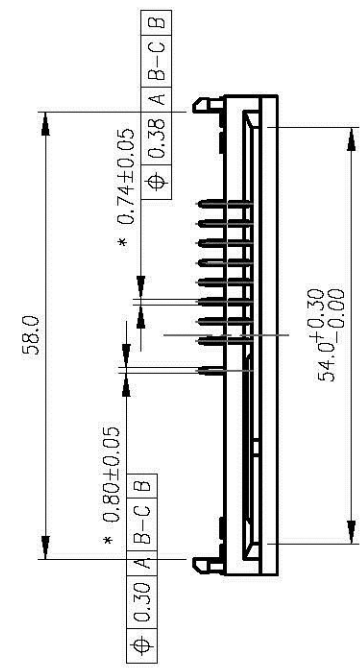
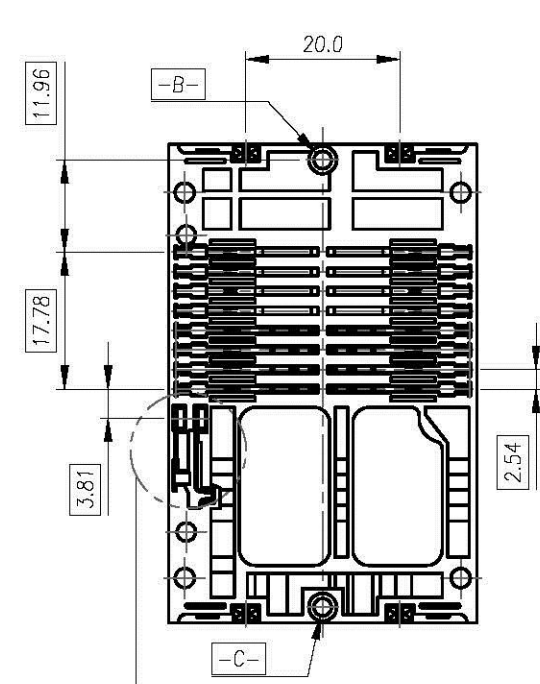
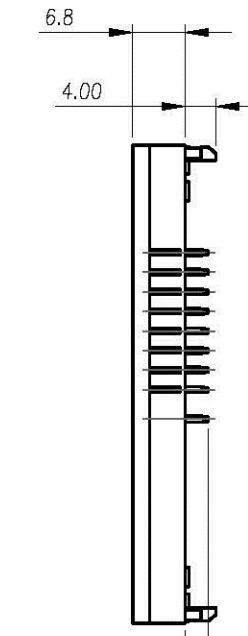
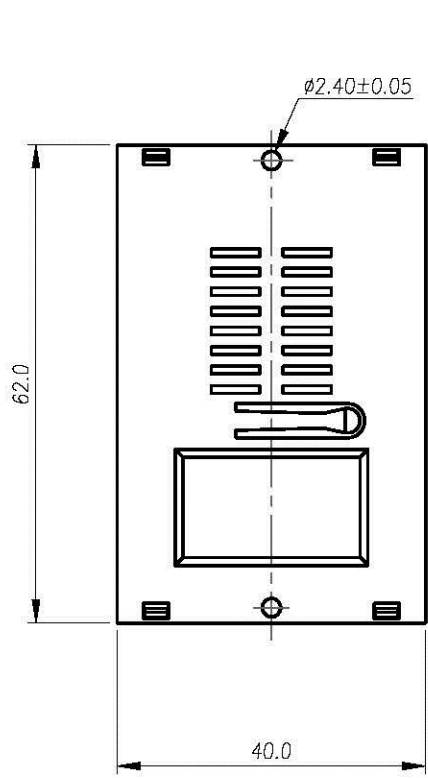
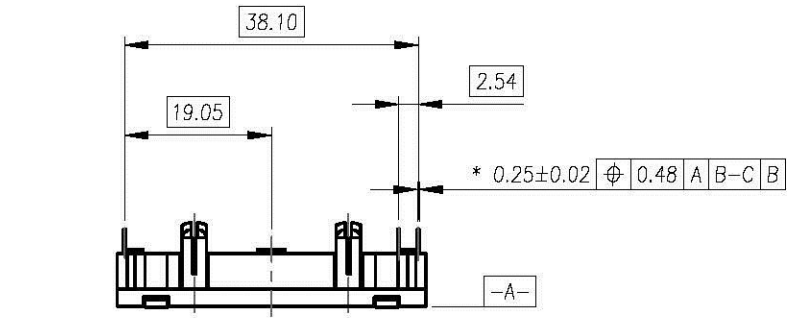


REV	MODIFICATION	DATE	DRAW
B	EN-04-0411	04.12.04"	Aaron
C	EN-06-1028	10.31.06"	TERENCE



DIMENSION IN mm [Inch]		PROD. SPEC.	Allconnectors	
TOLERANCE UNLESS OTHERWISE SPECIFIED		SP0004	www.allconnectors.de Info@allconnectors.de	
.X ± 0.30	X.* ± 1 "	PKG. SPEC.	TITLE	CUSTOMER DRAWING
.XX ± 0.20	.X.* ± 0.5 "	PPP-SMC-001	SMART CARD CONNECTOR FOR NORMAL TYPE(16 POS.)	
.XXX ± 0.10	.XX.* ± 0.25 "	APPROVE	FILE NO. KFP-004	DWG NO. SMCRB-216XXBXXT
		CHECK	SIZE A4	PROJ. SHEET 1 / 2
		DRAW	SCALE 1:1	REV C