

Thickness 0.68~0.84 mm  
Contact Specification Refer to EMV

1. MATERIAL :

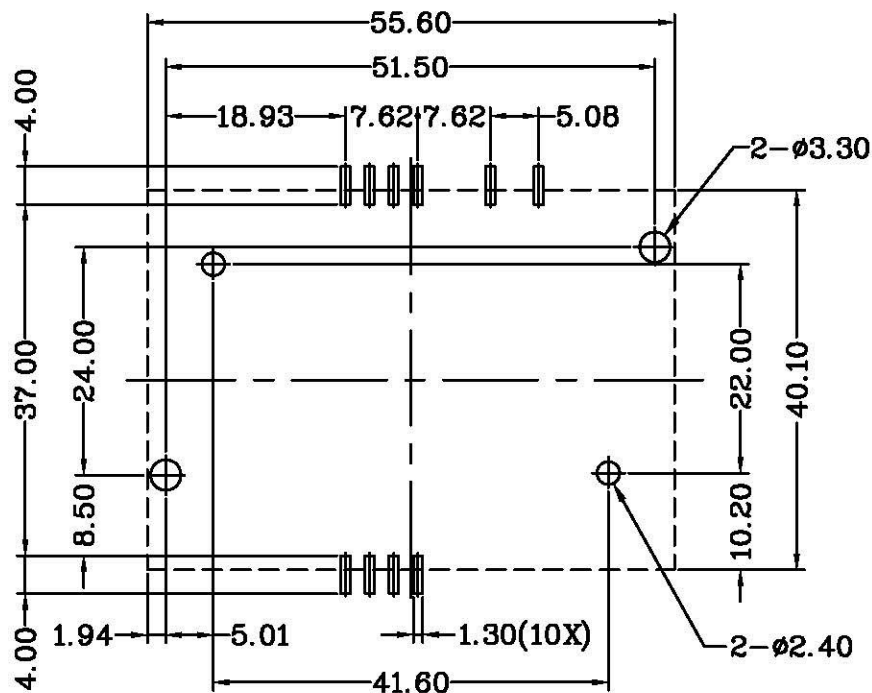
BASE : PA-9T.UL94V-0  
COVER : PA-9T.UL94V-0  
CLUTCH : PA46.UL94V-0  
TERMINAL : COPPER ALLOY

2. SPECIFICATION

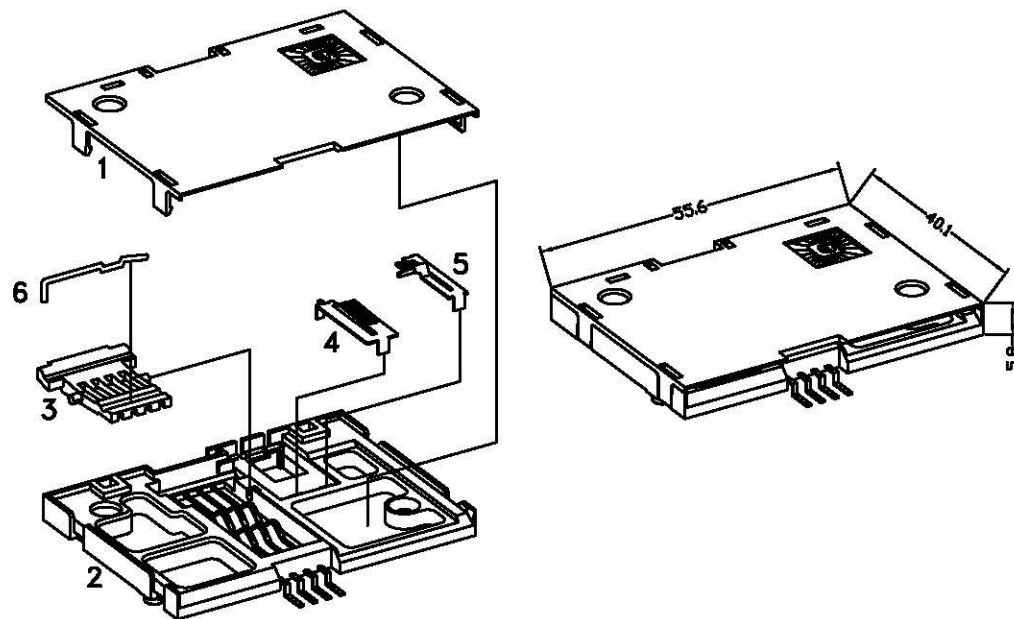
VOLTAGE RATING : 50V DC MAX  
CURRENT RATING : 0.5A MAX  
OPERATING TEMPERATURE : -20°C ~ +80°C  
INSULATION RESISTANCE: 1000 MΩ Min  
CONTACT RESISTANCE: 100 mΩ Max

3. SWITCH TYPE : OPEN

4. DURABILITY :



LAYOUT Tolerance±0.05



RoHS Compliant

TOLERANCES ARE

All connectors

DRAWING BY CY

X ±

CHECKED BY GENIUS

X ± 0.35

UNIT / mm

SCALE 1 : 1

.XX ± 0.20

DATE

.XXX ±

ANG ±

SIZE A4

P PROJECTION



ORDER INFORMATION

SCL-W58B-08-LF  
SERIES | | | LEADFREE  
| | | 08 WAY  
| | | SWITCH OPEN  
| | | HIGH 5.8mm  
| | | 90°SMT

DESCRIPTION: Smart Card Connector Landing SMT

www.allconnectors.de  
Tel.: 0049 711 7009500  
70794 Filderstadt - Germany

info@allconnectors.de  
Fax: 0049 711 7009504  
Kellernstr. 25