

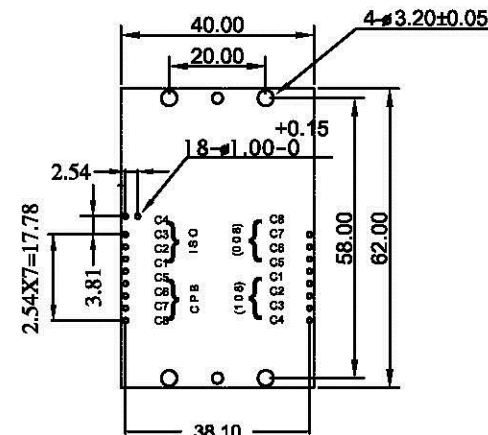
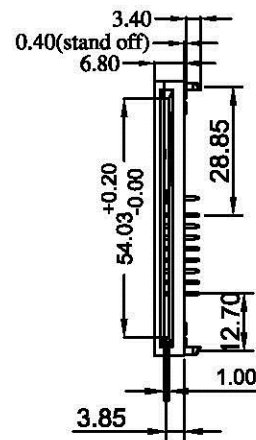
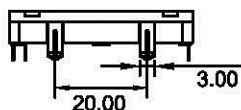
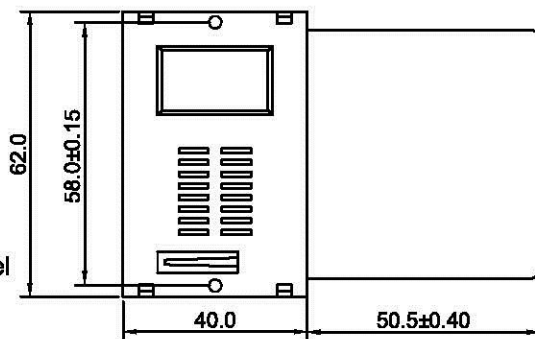
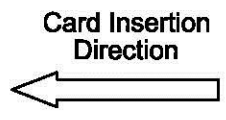
Series Smart Card Connector (V3 Type)

SPECIFICATION:

- 1.Contact Material: Phosphor Bronze(SPOON)
- 2.Insulator Material: P.B.T, UL 94V-0
- 3.Terminal Plating: SnPb on nickel
- 4.Switch Contact Plating: Gold(30micro Inch)On Nickel
- 5.Current rating: 1A DC MAX
- 6.Insulation resistance: 1000 Megohms MIN
- 7.Contact resistance: 100 milliohms MAX
- 8.Withstand voltage: AC 1000V RMS (1MIN)
- 9.Rated voltage: 50V DC Max
- 10.Temperature Range: -40°C~+60°C
- 11.Card Insertion Force: 511g MAX
- 12.Card Withdrawal Force: 102g MIN
- 13.Insertion Cycles: 100000 cycles MIN

Note:

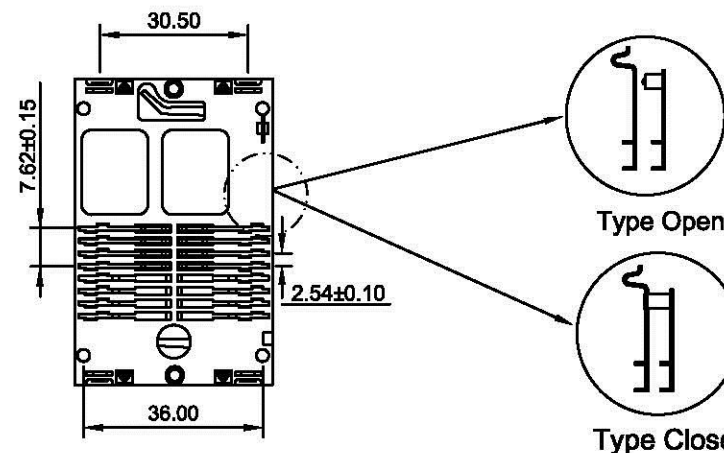
- 1.Card Insertion Specification :
 - A.Card Insertion Depth 35.3mm
 - B.Card Thickness = 0.7 ~ 0.8mm



Through Hole Mounting

SCF-R68A-08

A:SWITCH CLOSED
B:SWITCH OPEN



All Connectors

www.allconnectors.de
Toll: 0049 711 7009503
70794 Ellersdorf Germany

info@allconnectors.de
Fax: 0049 711 7009504
scf@mc.mtr.de

PART NO. SCF-R68x-08

DWG NO. SCF-R68x-08

FILE NO.

UNIT / mm

SCALE 1:1

CHECKED BY CY

DRAWING BY

PROJECTION

TOLERANCES ARE

.X ±
.XX ±
.XXX ±
AWG

DESCRIPTION:

Series Smart Card Connector (V3 Type)
Open & Close

AREA	REVISIONS	HK	DATE
------	-----------	----	------