

TECHNICAL CHARACTERISTICS

1. General Characteristics

Dimensions: 11.70L x 8.40W x 4.50H mm

Weight: A pprox. 0.30 g

Contact principle: Friction technology

Operating position: Shaft up / Down / Horizontal

Mounting System: SMT Type (without post)

Durability: 5,000 cycles min.

2. Mechanical Characteristics

Insulation material: Thermoplastic, UL 94V-0

RoHS Directive 2002/95/EC Compliant

3. Electrical Characteristics

Number of contacts: 6 pins

Contact resistance: 50 m Ohm typical, 100 m Ohm max.

Insulation resistance: >1000 M OHM / 500 VDC

4. Solderability

Wave: Not applicable

IR reflow: 260 C, 10 sec. Max.

Manual soldering: 360 C, 3 sec. Max.

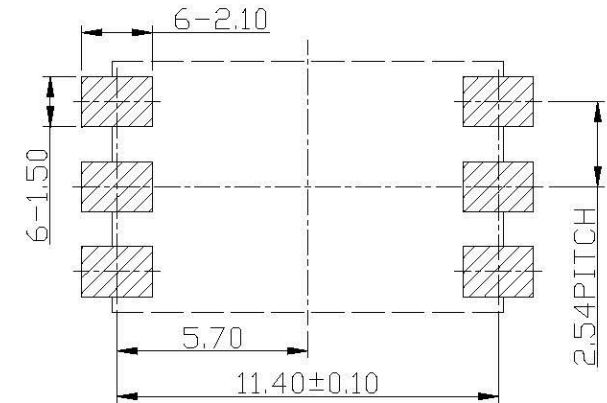
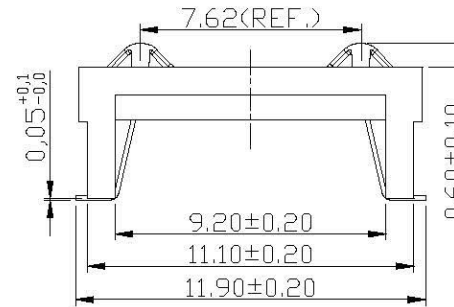
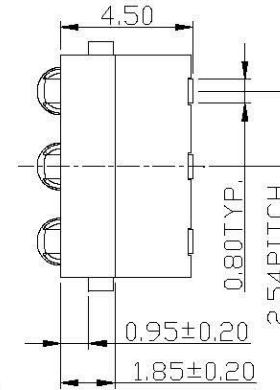
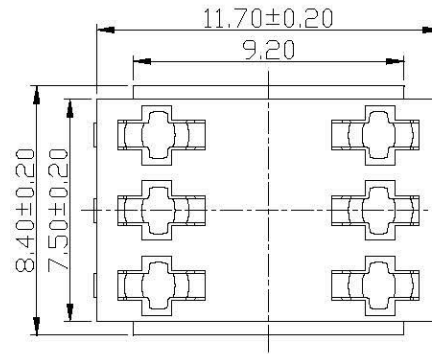
5. Environmental Characteristics

Operating temperature: - 40 C ~ + 85 C

Operating humidity: 10 % ~ 95 % RH

Storage temperature: - 40 C ~ + 85 C

Storage humidity: 10 % ~ 95 % RH



Unit: mm; Tolerances: ± 0.15 mm
Mechanical outline dimension

Unit: mm; Tolerances: ± 0.05 mm
Reference dimension for PCB layout

SCX-W1145X-06-LF
LEADFREE

RoHS Compliant

Allconnectors

www.allconnectors.de
Tel: +49 615 733 7000/033
70754 Filderstadt, Germany

Info@allconnectors.de
Fax: +49 615 733 7005/041
Kollmannstr. 25

PART NO. SCX-W1145X-06

DWG NO. SCX-W1145X-06

FILE NO.

UNIT / mm

SCALE 1:1

CHECKED BY CY

DRAWING BY

PROJECTION



TOLERANCES ARE

.X \pm 0.2
.XX \pm
.XXX \pm
AWG

DESCRIPTION:

AREA

REVISIONS

HK

DATE