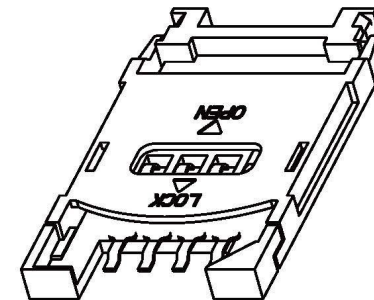
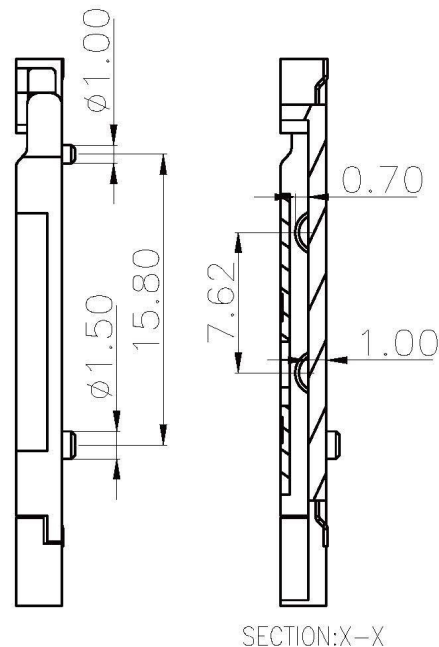
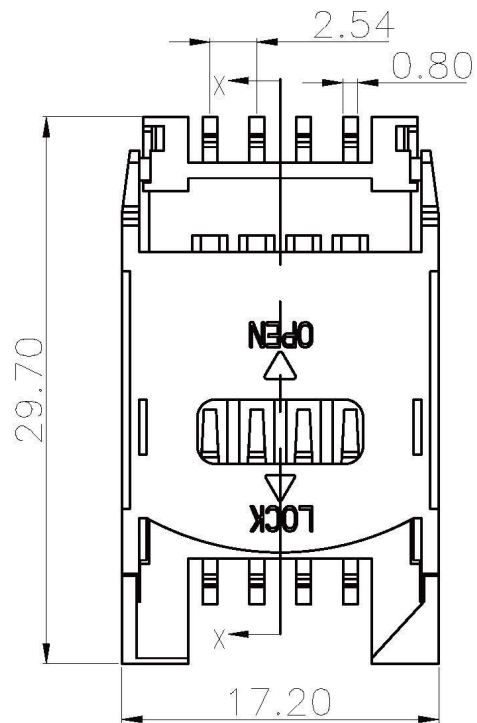
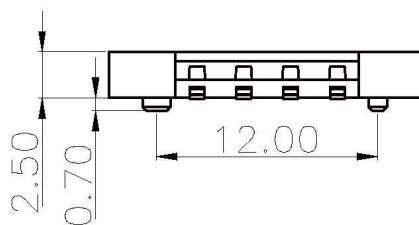


RECOMMENDED PCB LAYOUT



PART NAME	Q'TY	Material
HOUSING	1	LCP+30%GF
COVER	1	LCP+30%GF
CONTACT	8	C5210R-EH,GOLD 5u'



NOTE:

- GENERAL CHARACTERISTICS
 DURABILITY:5000 CYCLES.
 OPERATIO TEMPERATURE:-25°C TO +85°C.
- ELECTRICAL CHARACTERISTICS
 CONTACT RESISTANCE:30M OHMS MAX.
 INSULATION RESISTANCE:>1000M OHMS MIN /500V DC.
 RATED CURRENT:0.5A MAX.
 WITHSTANDING DIELECTRIC VOLTAGE:500V AC R.M.S FOR 1MINUTE.
- SOLDERABILITY
 MAX PROCESSING TEMP:260°C FOR 10 SEC.

All Connectors
 www.allconnectors.de
 Tel.: 0049 711 7009503
 70794 Filderstadt - Germany

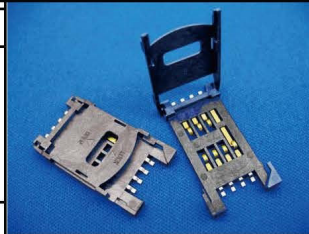
info@allconnectors.de
 Fax: 0049 711 7009504
 Kettnerstr. 25

RoHS Compliant

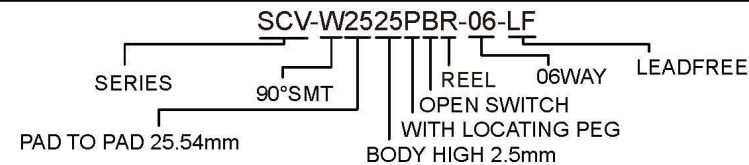
DRAWING BY CY	
CHECKED BY GENIUS	
UNIT/ mm	SCALE 1 : 1
DATE	
SIZE A4	P PROJECTION

TOLERANCES ARE

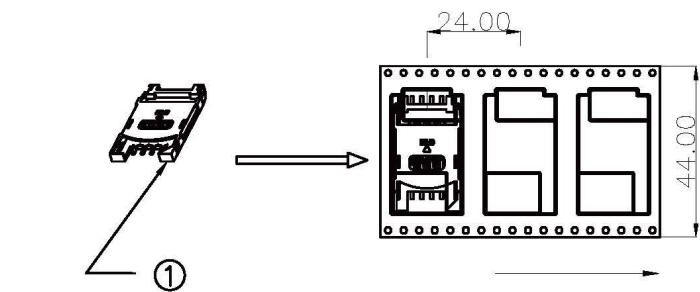
- X ±
- .X ±
- .XX ±
- .XXX ±
- ANG ±



ORDER INFORMATION



DESCRIPTION: SIM Card Socket Hinge Type with Switch Function



Note:
 1. 500PCS/Reel 3500PCS/7Reel/Carton
 2. N.W=3.5Kg G.W=8.18Kg

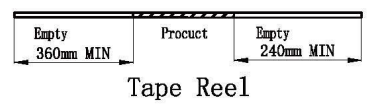
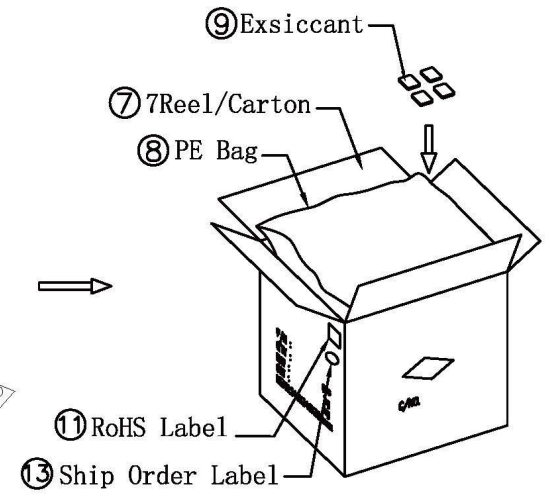
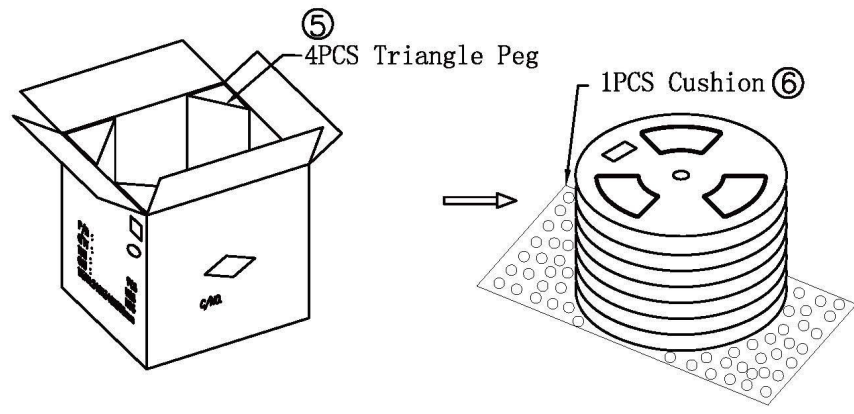
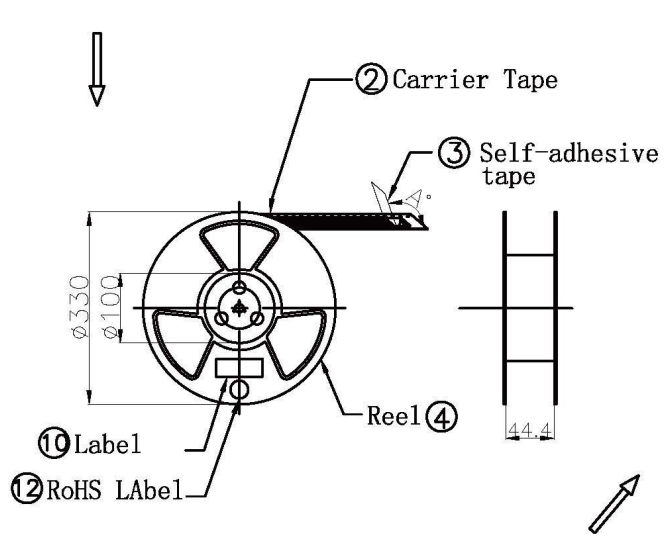


TABLE:

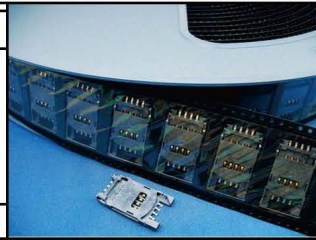
⑬	RoHS Label	1	PCS	/	
⑫	RoHS Label	7	PCS		
⑪	Ship Order Label	1	PCS		
⑩	Label	7	PCS		
⑨	Exsiccant	4	bag		
⑧	PE Bag	1	PCS		L800*W750mm
⑦	Exterior Carton	1	PCS		K=K, L346*W346*H352mm
⑥	Cushion	1	PCS		1*100
⑤	Triangle Peg	4	PCS		L330*H345mm
④	Reel	7	PCS		330*100mm, W=45mm
③	Self-adhesive tape	12.7	m		W=37.5, 12.7M/REEL
②	Carrier Tape	12.6	m		W=44mm, T=0.35mm, 12.6M/REEL
①	SIM Card Hinge type socket with card detect switch		UNIT		

RoHS Compliant

All Connectors

www.allconnectors.de info@allconnectors.de
 Tel.: 0049 711 7009503 Fax: 0049 711 7009504
 70794 Filderstadt - Germany Kettenerstr. 25

DRAWING BY CY		TOLERANCES ARE X ± .X ± .XX ± .XXX ± ANG ±
CHECKED BY GENIUS		
UNIT/mm	SCALE 1:1	
DATE		
SIZE A4	PJECTION	



ORDER INFORMATION

SCV-W2525PBR-06-LF

SERIES 90°SMT REEL 06WAY LEADFREE
 PAD TO PAD 25.54mm OPEN SWITCH WITH LOCATING PEG BODY HIGH 2.5mm

DESCRIPTION: SIM Card Socket Hinge Type with Switch Function Reel