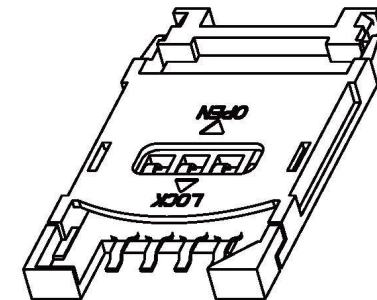
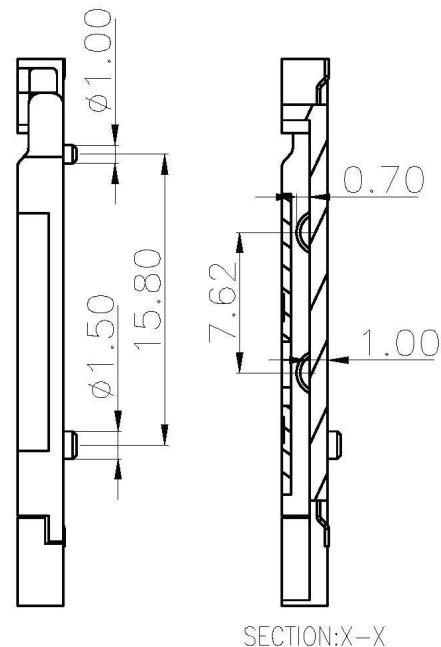
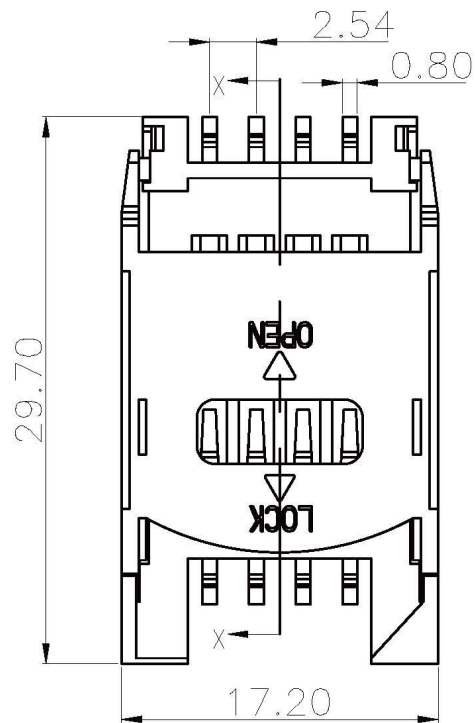
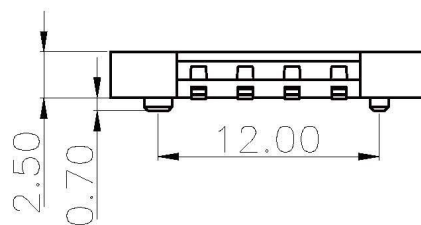


RECOMMENDED PCB LAYOUT



PART NAME	Q'TY	Material
HOUSING	1	LCP+30%GF
COVER	1	LCP+30%GF
CONTACT	8	C5210R-EH,GOLD 5u'



NOTE:

- 1.GENERAL CHARACTERISTICS  
DURABILITY:5000 CYCLES.  
OPERATIO TEMPERATURE:-25°C TO +85°C.
- 2.ELECTRICAL CHARACTERISTICS  
CONTACT RESISTANCE:30M OHMS MAX.  
INSULATION RESISTANCE:>1000M OHMS MIN /500V DC.  
RATED CURRENT:0.5A MAX.  
WITHSTANDING DIELECTRIC VOLTAGE:500V AC R.M.S FOR 1MINUTE.
- 3.SOLDERABILITY  
MAX PROCESSING TEMP:260°C FOR 10 SEC.

**All Connectors**

www.allconnectors.de info@allconnectors.de  
Tel.: 0049 711 7009503 Fax: 0049 711 7009504  
70794 Filderstadt - Germany Kettenerstr. 25

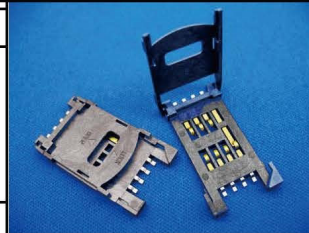
**RoHS Compliant**

DRAWING BY CY  
CHECKED BY GENIUS  
UNIT/ mm SCALE 1:1  
DATE  
SIZE A4

TOLERANCES ARE

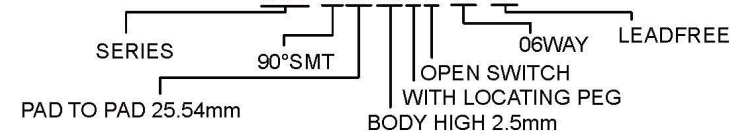
X. ±  
.X ±  
.XX ±  
.XXX ±  
ANG ±

P PROJECTION



ORDER INFORMATION

**SCV-W2525PB-06-LF**



DESCRIPTION: SIM Card Socket Hinge Type with Switch Function