

**NOTES**

**\*Material:**

- 1.Body: PPS UL 94V-0 Rated, Color:Black;
- 2.Cover: LCP UL 94V-0 Rated, Color:Black;
- 3.Contact: Phosphor Bronze;
- 4.Contact Plating: Gold Plating Over Nickel on Contact Area, Tin Plating on Solder Tail.

**\*Specification:**

- 1.Current Rating: 0.5 AMP. Max.;
- 2.Dielectric Withstanding Voltage: 500V AC R.M.S For One Minute;
- 3.Insulation Resistance: 1000 M Ohms Min. AT 500V AC;
- 4.Contact Resistance: 30 M Ohms Max.;
- 5.Operating Temperature: -25°C to +85°C;
- 6.Processing Temp: 245°C for 30~60 Seconds Max.;
- 7.Durability: 5000 Cycles.

**All Connectors**  
 www.allconnectors.de  
 Tel.: 0049 711 7009503  
 70794 Filderstadt - Germany

**RoHS Compliant**

DRAWING BY CY		TOLERANCES ARE X ± .X ± 0.20 .XX ± 0.10 .XXX ± ANG ±
CHECKED BY GENIUS		
UNIT/ mm	SCALE 1 : 1	
DATE		
SIZE A4	PJECTION	

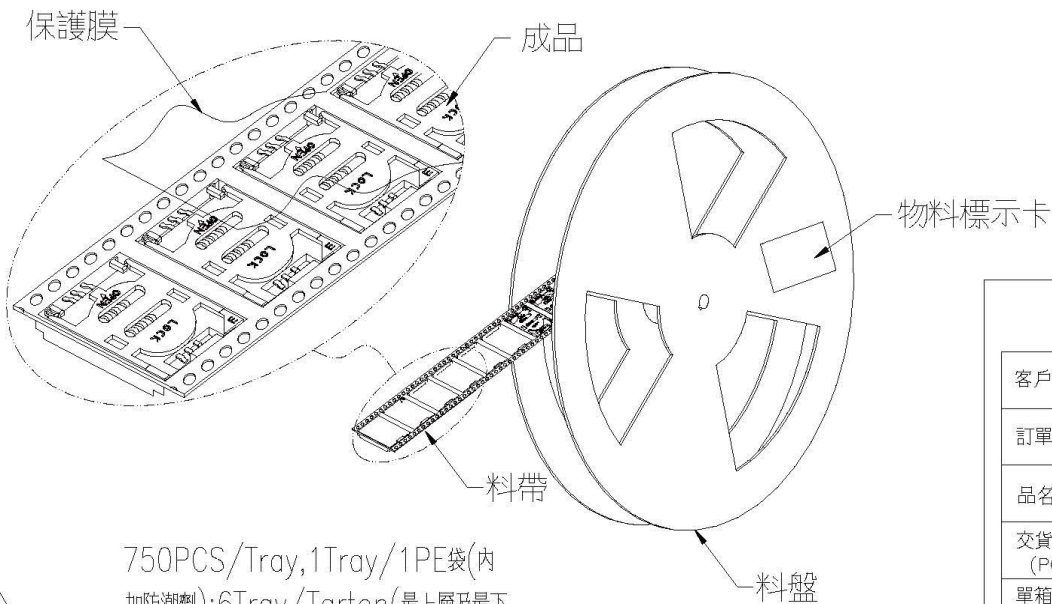
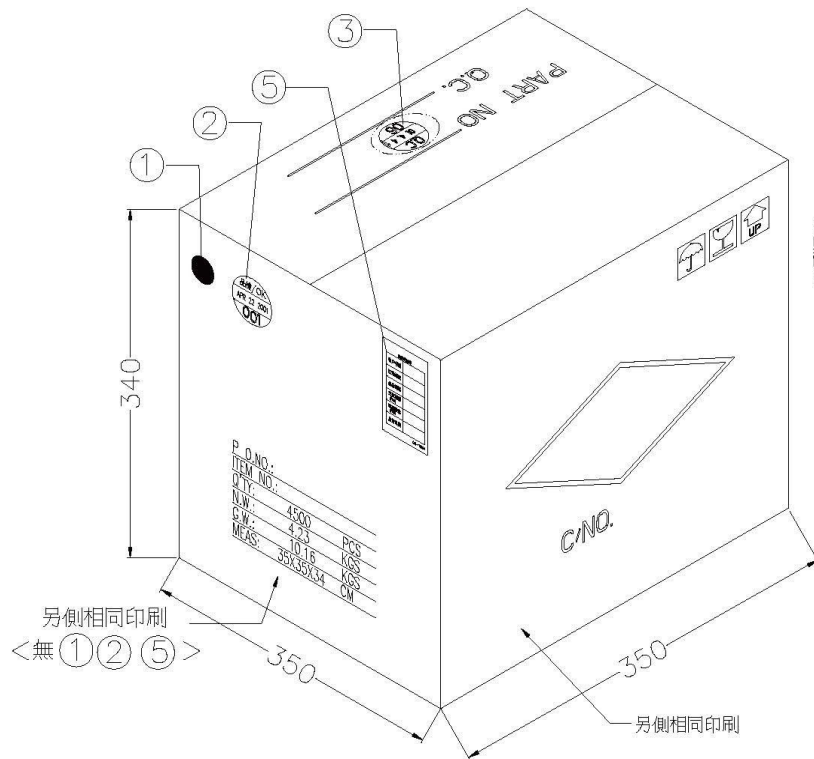


**ORDER INFORMATION**

**SCV-W2523XR-06-LF**

SERIES: 90°SMT, PAD TO PAD 25.2mm  
 REEL: NON POST, BODY HIGH 2.3mm  
 06WAY, LEADFREE

**DESCRIPTION:** Sim Card 6Pin Without Post



750PCS/Tray, 1Tray/1PE袋(內加防潮劑); 6Tray/Tarton(最上層及最下層各放一塊保力龍, 料盤的四周加放三角形防振紙板) 4500PCS/Tarton.

出貨明細表	
客戶名稱	
訂單編號	
品名規格	
交貨總數 (PCS)	
單箱數量 (PCS)	
出貨日期	

QR-1504

注: 加蓋印記位置

- ① 月份標記
- ② 品管注介章(檢驗合格章)
- ③ 生產製造日期, 檢驗員代號.
- ④ 該產品的料號.
- ⑤ 出貨明細表

材質:  
外箱: K=K<雙浪型>

PACKING DETAILS(無柱有上蓋成品)

P/O.NO.:  
ITEM NO.:  
Q'TY: 4500 PCS  
N.W.: 4.23 KGS  
G.W.: 10.16 KGS  
MEAS: 35X35X34 CM

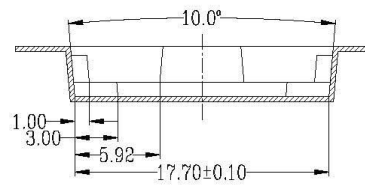
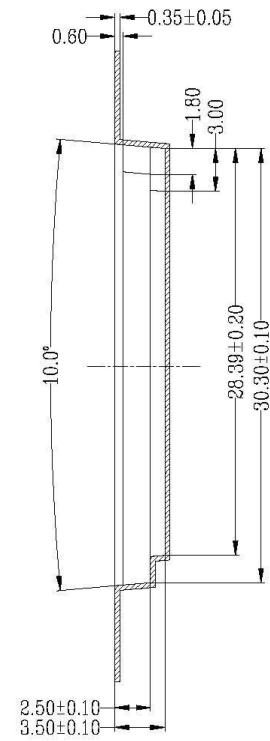
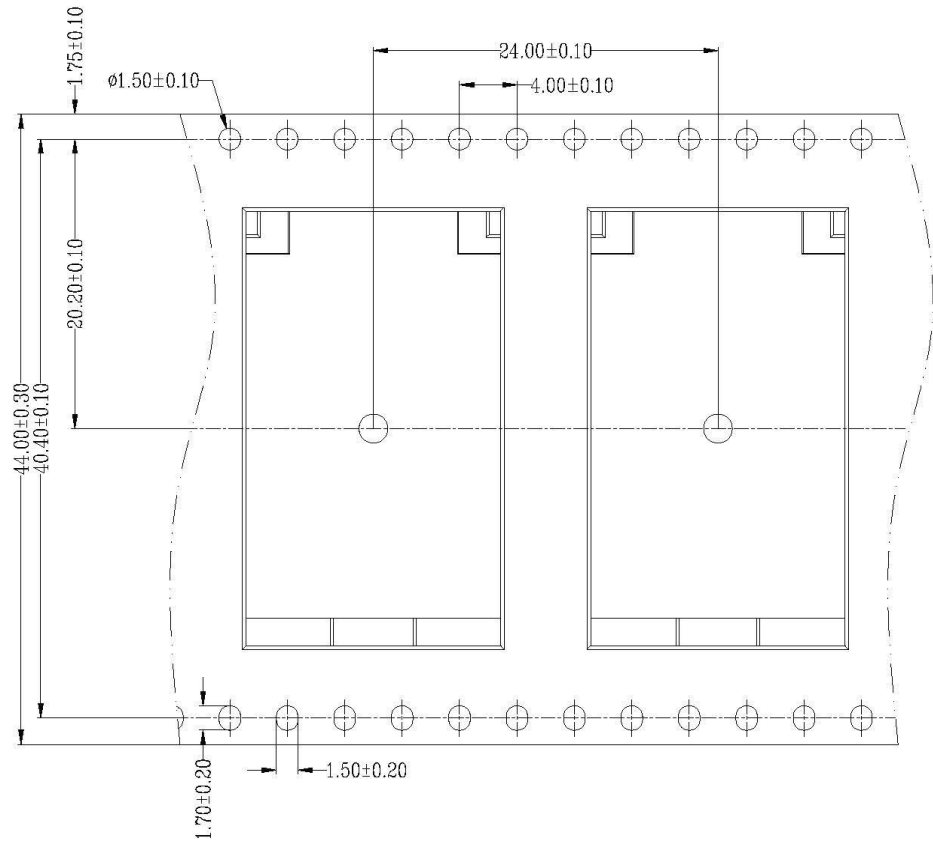
注: 1. 外箱隨產品的不同而印刷(側面)  
2. 料帶專用包裝.

<p>www.allconnectors.de Tel.: 0049 711 7009503 70794 Filderstadt - Germany</p> <p>info@allconnectors.de Fax: 0049 711 7009504 Kettenerstr. 25</p>	<b>RoHS Compliant</b>		<b>TOLERANCES ARE</b>	
	DRAWING BY CY		X ±	
	CHECKED BY GENIUS		X ± 0.20	
	UNIT/ mm	SCALE 1 : 1	.XX ± 0.10	
	DATE		.XXX ±	
SIZE A4	PPOJECTION		ANG ±	



ORDER INFORMATION				
<b>SCV-W2523XR-06-LF</b>				
SERIES	90°SMT	REEL	06WAY	LEADFREE
PAD TO PAD 25.2mm		NON POST BODY HIGH 2.3mm		

**DESCRIPTION:** Sim Card 6Pin Without Post



- 附注：1. 材質：PS；  
 2. 卷盤顏色：藍色(φ330mm)；  
 3. 單卷可裝長度：16.2M；  
 4. 單卷可裝產品：650PCS；  
 5. 脫模斜度：5°；

**Allconnectors**

www.allconnectors.de info@allconnectors.de  
 Tel.: 0049 711 7009503 Fax: 0049 711 7009504  
 70794 Filderstadt - Germany Kettnerstr. 25

**RoHS Compliant**

DRAWING BY CY  
 CHECKED BY GENIUS  
 UNIT/mm SCALE 1:1  
 DATE  
 SIZE A4 PROJECTION

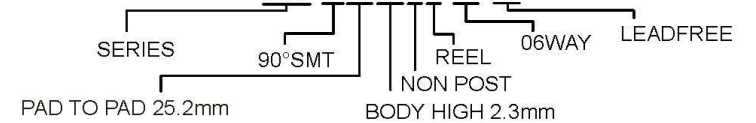
TOLERANCES ARE

X ±  
 .X ± 0.20  
 .XX ± 0.10  
 .XXX ±  
 ANG ±



ORDER INFORMATION

SCV-W2523XR-06-LF



DESCRIPTION: Sim Card 6Pin Without Post