

RECOMMEND P.C.B. LAYOUT
TOP VIEW

NOTES

*Material:

- 1.Body: PPS UL 94V-0 Rated, Color:Black;
- 2.Cover: PPS UL 94V-0 Rated, Color:Black;
- 3.Contact: Phosphor Bronze;
- 4.Contact Plating: Gold Plating Over Nickel on Contact Area, Tin Plating on Solder Tail.

*Specification:

- 1.Current Rating: 0.5 AMP. Max.;
- 2.Dielectric Withstanding Voltage: 500V AC R.M.S For One Minute;
- 3.Insulation Resistance: 1000 M Ohms Min. AT 500V AC;
- 4.Contact Resistance: 30 M Ohms Max.;
- 5.Operating Temperature: -25°C to +85°C;
- 6.Processing Temp: 230°C for 30~60 Seconds Max.;
- 7.Durability: 5000 Cycles.

RoHS Compliant

All Connectors

www.allconnectors.de
Tel.: 0049 711 7009503
70794 Filderstadt - Germany

info@allconnectors.de
Fax: 0049 711 7009504
Kettenerstr. 25

DRAWING BY CY

CHECKED BY GENIUS

UNIT / mm SCALE 1 : 1

DATE

SIZE A4

TOLERANCES ARE

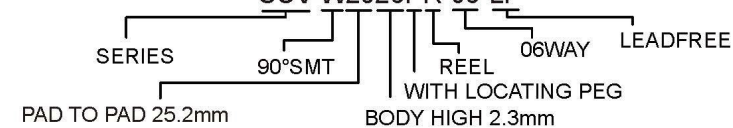
X ±
X ±
.XX ±
.XXX ±
ANG ±

PJECTION

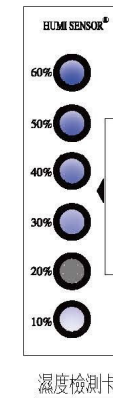
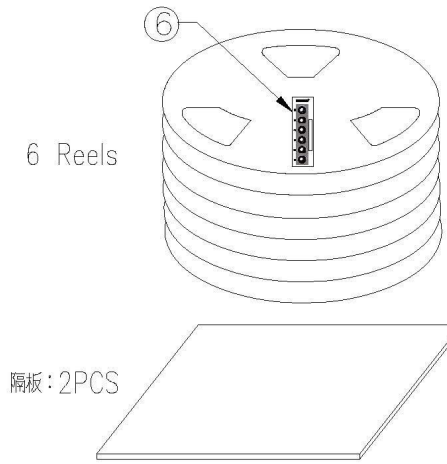
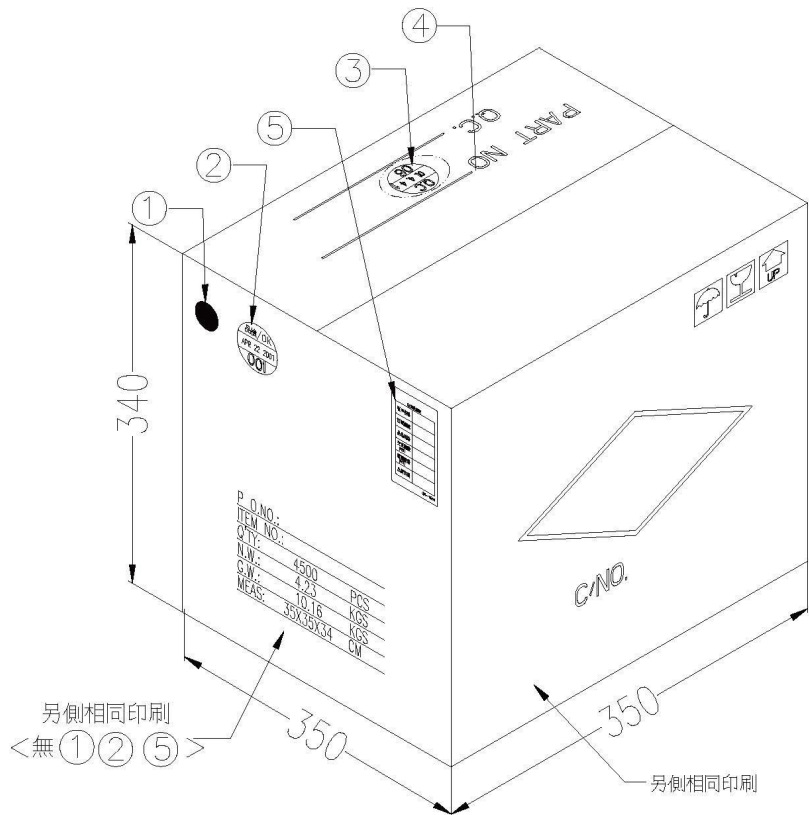


ORDER INFORMATION

SCV-W2523PR-06-LF



DESCRIPTION: Sim Card 6Pin With Post



注:加蓋印記位置: 1. 月份標記
 2. 品管注介章(檢驗合格章)
 3. 生產製造日期, 檢驗員代號.
 4. 該產品的料號
 5. 出貨明細表
 6. 濕度檢測卡
 7. 料盤四周用三角紙固定
 8. 外箱尺寸為內空尺寸

PACKING DETAILS(無柱無上蓋成品)

P/O.NO.:
 ITEM NO.:
 Q'TY: 3900 PCS
 N.W.: 2.18 KGS
 G.W.: 7.3 KGS
 MEAS: 35X35X34 CM

PACKING DETAILS(無柱有上蓋成品)

P/O.NO.:
 ITEM NO.:
 Q'TY: 3900 PCS
 N.W.: 3.67 KGS
 G.W.: 9.6 KGS
 MEAS: 35X35X34 CM

另側相同印刷
 <無 ① ② ⑤>

另側相同印刷

650PCS/REEL 3900PCS/CARTON

類型	材質	規格(Unit:mm)	數量
外箱	K=K	350*350*340	1PCS
隔板	B B	348*348*3	2PCS
旋轉膠盤	PS	φ330*φ100	6PCS
承載膠帶	PS(黑色)	44(W)*16200(L)*0.50(T)	6PCS
封裝膠帶	PS	37.5(W)*0.05(T)	6PCS
PE袋	PE	600(開口)*1000*0.05	1PCS

注意:

- 成品組裝完成並QC全之後, 將其裝入承載帶內, 同時用封裝膠帶熱封。
- 檢查REEL包裝卷帶是否有鬆動, 如有鬆動, 需重新貼緊。
- 全檢OK後, 將Reel盤裝入PE袋, 底內放一包干燥劑, 最上面一層 Reel包裝之表面貼一濕度卡, FQC復檢。
- 每一REEL卷盤上都要貼上料號和數量, 若有特殊要求請貼上客戶料號等。
- 此產品包裝已送客戶承認, 外箱延用之前規格。

注: 1. 外箱隨產品的不同而印刷(側面)
 2. 料帶專用包裝。

All Connectors

www.allconnectors.de info@allconnectors.de
 Tel.: 0049 711 7009503 Fax: 0049 711 7009504
 70794 Filderstadt - Germany Kettenerstr. 25

RoHS Compliant

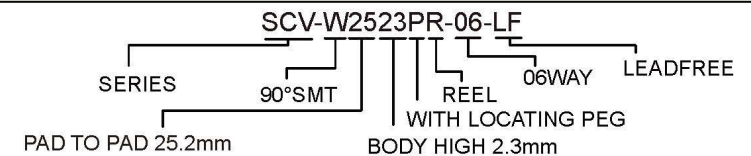
DRAWING BY CY
 CHECKED BY GENIUS
 UNIT/ mm SCALE 1:1
 DATE
 SIZE A4 PPROJECTION

TOLERANCES ARE

X. ±
 .X ±
 .XX ±
 .XXX ±
 ANG ±



ORDER INFORMATION



DESCRIPTION: