

TECHNICAL CHARACTERISTICS

1. General Characteristics

Dimension: 29.65L x 17.20W x 2.00H mm
 Weight: Approx. 0.75 g
 Contact principle: Friction technology
 Operating position: Shaft up / Down / Horizontal
 Mounting System: SMT Type (post optional)
 Durability: 10,000 cycles min.

2. Mechanical Characteristics

Insulation material: Thermoplastic, UL 94V-0
 RoHS Directive 2002/95/EC Compliant

3. Electrical Characteristics

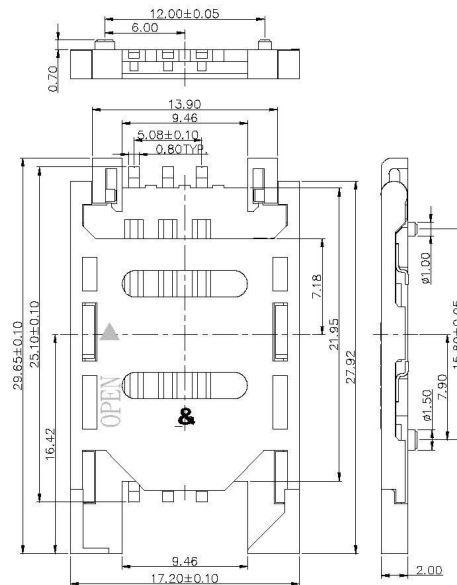
Number of contacts: 6, 8 pins (optional)
 Contact resistance: 50 mΩ typical, 100 mΩ max.
 Insulation resistance: >1000 MΩ / 500 VDC
 Switch type: Blade, Normally Open

4. Solderability

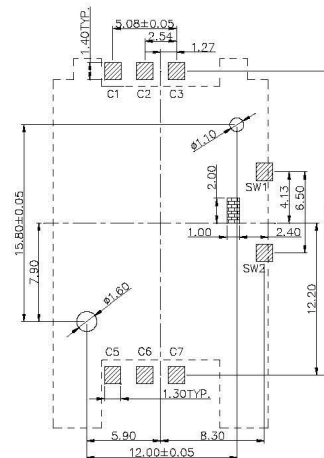
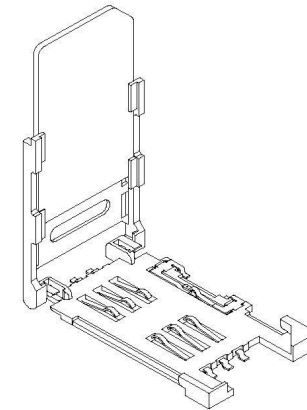
Wave: Not applicable
 IR reflow: 260°C, 10 sec. Max.
 Manual soldering: 360°C, 3 sec. Max.

5. Environmental Characteristics

Operating temperature: - 40°C ~ + 85°C
 Operating humidity: 10 % ~ 95 % RH
 Storage temperature: - 40°C ~ + 85°C
 Storage humidity: 10 % ~ 95 % RH



Unit: mm; Tolerances: ±0.15 mm
 Mechanical outline dimension



Hatched area is pattern prohibition area

Unit: mm; Tolerances: ±0.15 mm
 Reference dimension for PCB layout

All Connectors

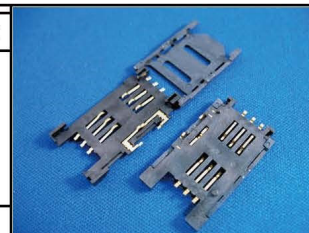
www.allconnectors.de info@allconnectors.de
 Tel.: 0049 711 7009503 Fax: 0049 711 7009504
 70794 Filderstadt - Germany Kettnerstr. 25

RoHS Compliant

TOLERANCES ARE

DRAWING BY CY
 CHECKED BY GENIUS
 UNIT / mm SCALE 1 : 1
 DATE
 SIZE A4 PROJECTION

X ±
 .X ±
 .XX ±
 .XXX ±
 ANG ±



ORDER INFORMATION

SCV-W2420PB-06-LF

SERIES 90°SMT PAD TO PAD 24.40mm
 06WAY LEADFREE
 OPEN SWITCH WITH LOCATING PEG
 BODY HIGH 2.0mm

DESCRIPTION: