

TECHNICAL CHARACTERISTICS

1. General Characteristics

Dimension: 25.50L x 17.70W x 1.95H mm
 Weight: Approx. 1.1 g
 Contact principle: Friction technology
 Operating position: Shaft up / Down / Horizontal
 Mounting System: SMT Type (without post)
 Durability: 3,000 cycles min.

2. Mechanical Characteristics

Insulation material: Thermoplastic, UL 94V-0
 RoHS Directive 2011/65/EU Compliant

3. Electrical Characteristics

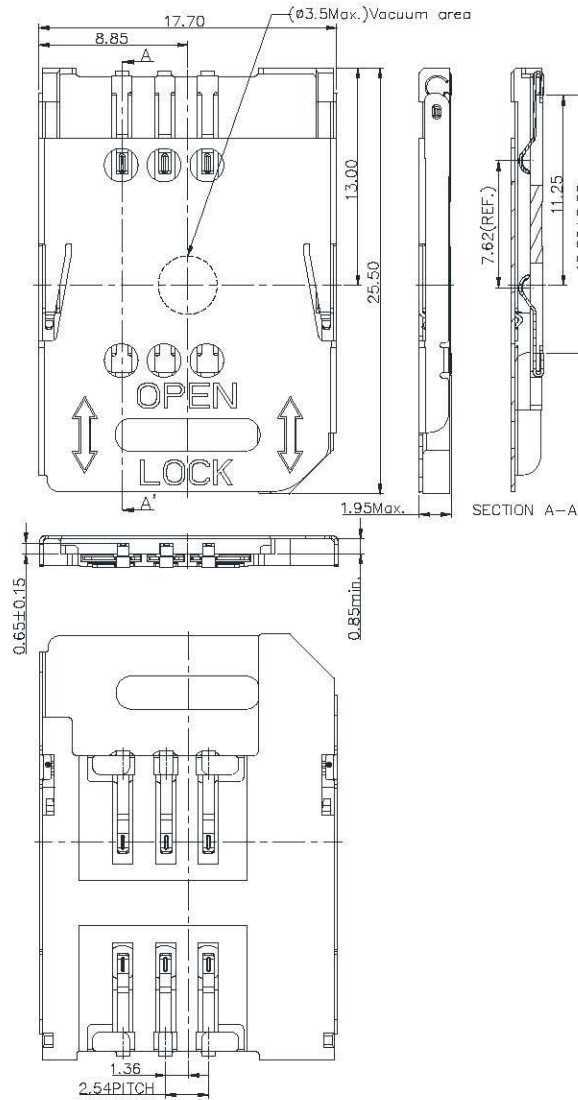
Number of contacts: 6 pins
 Contact resistance: 50 m typical, 100 m max.
 Insulation resistance: >1000 M / 500 VDC

4. Solderability

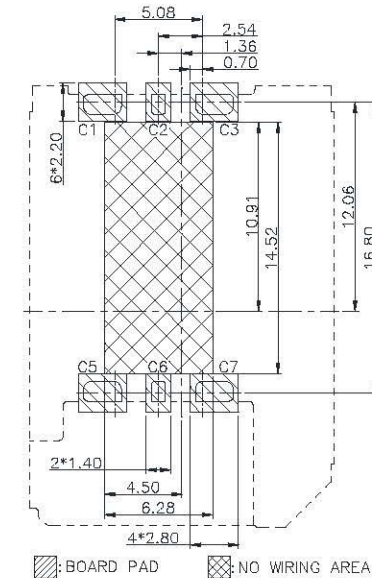
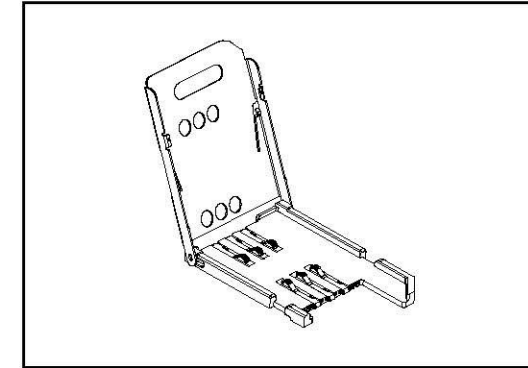
Wave: Not applicable
 IR reflow: 260 C, 10 sec. Max.
 Manual soldering: 360 C, 3 sec. Max.

5. Environmental Characteristics

Operating temperature: - 40 C ~ + 85 C
 Operating humidity: 10 % ~ 95 % RH
 Storage temperature: - 40 C ~ + 85 C
 Storage humidity: 10 % ~ 95 % RH



Unit: mm; Tolerances: 0.15 mm
Mechanical outline dimension



Unit: mm; Tolerances: 0.05 mm
Reference dimension for PCB layout

RoHS Compliant

All Connectors

www.allconnectors.de info@allconnectors.de
 Tel.: 0049 7111 7006609 Fax: 0049 7111 7006604
 70794 Fildeschlo Germany karten@mc.de

DRAWING BY CY		X ± X ± XX ± .XXX ± ANG ±
CHECKED BY GENIUS		
UNIT / mm	SCALE 1 : 1	
DATE		
SIZE A4	P PROJECTION	

TOLERANCES ARE



ORDER INFORMATION

SCV-W1619X-06-LF
 SERIES | | | LEADFREE
 | | | 06 WAY
 | | | NON POST
 90° SMT | | | HIGH 1.95mm
 | | | PAD TO PAD 16.80mm

DESCRIPTION: