

TECHNICAL CHARACTERISTICS

1. General Characteristics

Dimensions: 14.20L x 16.30 W x 1.90H mm 0.05g
 Weight: Approx. 0.4 g Contact principle: Friction technology
 Operating position: Shaft up / Down / Horizontal
 Mounting System: SMT without post
 Durability: 5,000 cycles min.

2. Mechanical Characteristics:

Insulation material: Thermoplastic, UL 94-V0

3. Electrical Characteristics

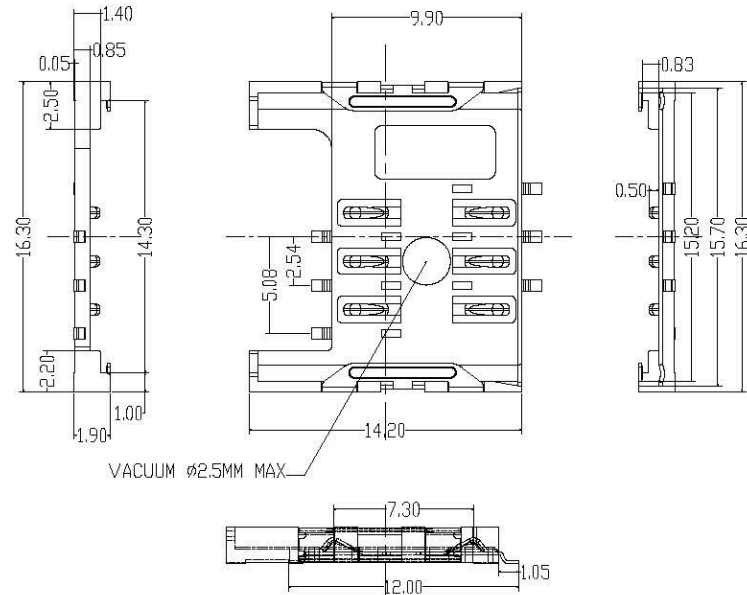
Number of contacts: 6 pins
 Contact resistance: 50 m Ohm typical, 100 m Ohm max.
 Insulation resistance: > 1000 M / 500 VDC

4. Solderability

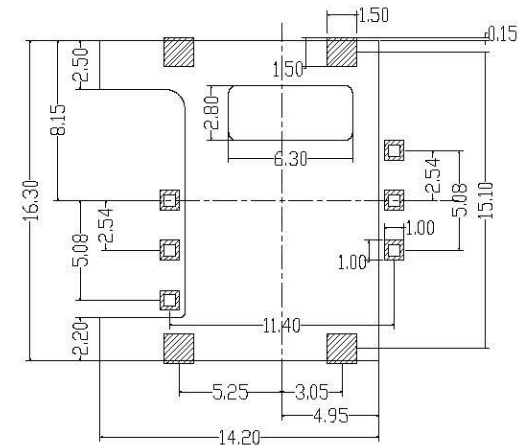
Wave: Not applicable
 Vaporphase: 215 C, 30 sec. Max.
 IR reflow: 260 C, 10 sec. Max.
 Manual soldering: 360 C, 3 sec. Max.

5. Environmental Characteristics

Operating temperature: - 40 C, ~ + 85 C,
 Operating humidity: 10 % ~ 95 % RH
 Storage temperature: - 40 C, ~ + 85 C,
 Storage humidity: 10 % ~ 95 % RH
 Thermal shock: - 40 C, ~ + 85 C, 5 cycles
 Damp Heat: 40 C, 90 % RH, 500HR.
 Salt-mist: 35 C, 5%, NaCl , 48H.



Unit: mm; Tolerances: ± 0.10 mm
 Mechanical outline dimension



Unit: mm; Tolerances: ± 0.10 mm
 Reference dimension for PCB layout

SCU-W1119X-06-LF
 LEADFREE
 RoHS Compliant



PART NO. SCU-W1119X-06

www.allconnectors.de
 Tel.: 0049 711 7000503
 70794 Filderstadt - Germany

info@allconnectors.de
 Fax: 0049 711 7000504
 Kettenstr. 25

DWG NO. SCU-W1119X-06

CHECKED BY CY

TOLERANCES ARE

DESCRIPTION:

FILE NO.

DRAWING BY

.X ± 0.2
 .XX \pm
 .XXX \pm
 AWG

UNIT / mm

SCALE 1:1

PROJECTION

AREA	REVISIONS	HK	DATE