

RECOMMENDED PCB LAYOUT

Notes:

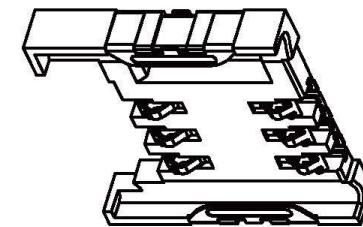
Material: Phosphor Bronze(C5191-H)
SIMM Card Connector,With Cover,Type 1,8 Pin

Physical:

Housing: LCP UL 94V-0
Contact: Selective Gold Flash

Specifications:

Voltage Current rating: 1A. 50V AC
Insulation Resistance: 1000Mohm Min
Contact Withstanding Voltage: AC 500V For 1 Minute
Temperteure Rating: -40° To +85°
Packing: 750Pcs/Reel



All Connectors

www.allconnectors.de info@allconnectors.de
Tel.: 0049 711 7009503 Fax: 0049 711 7009504
70794 Filderstadt - Germany Kettenerstr. 25

RoHS Compliant

DRAWING BY CY
CHECKED BY GENIUS
UNIT/ mm SCALE 1:1
DATE
SIZE A4

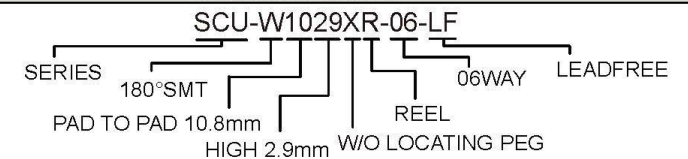
TOLERANCES ARE

X ±
.X ± 0.25
.XX ± 0.15
.XXX ± 0.10
ANG ±

PROJECTION

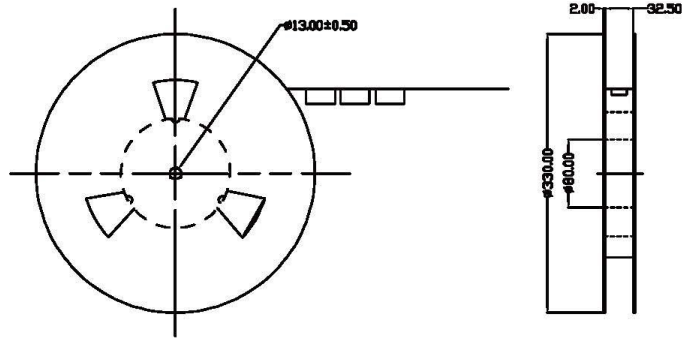


ORDER INFORMATION



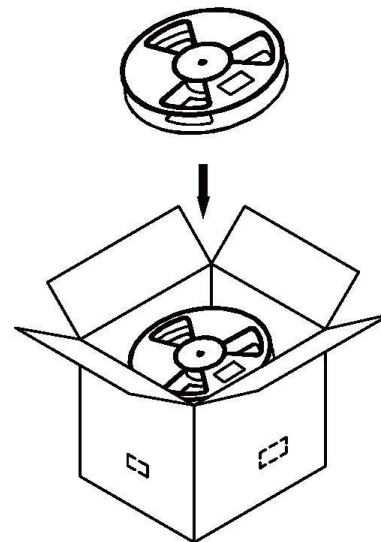
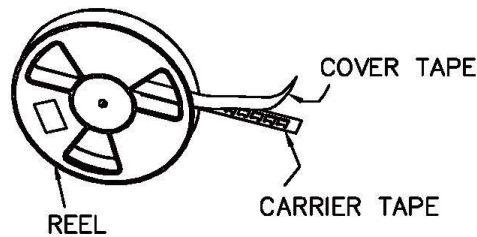
DESCRIPTION:

***Reel Form Diagram**

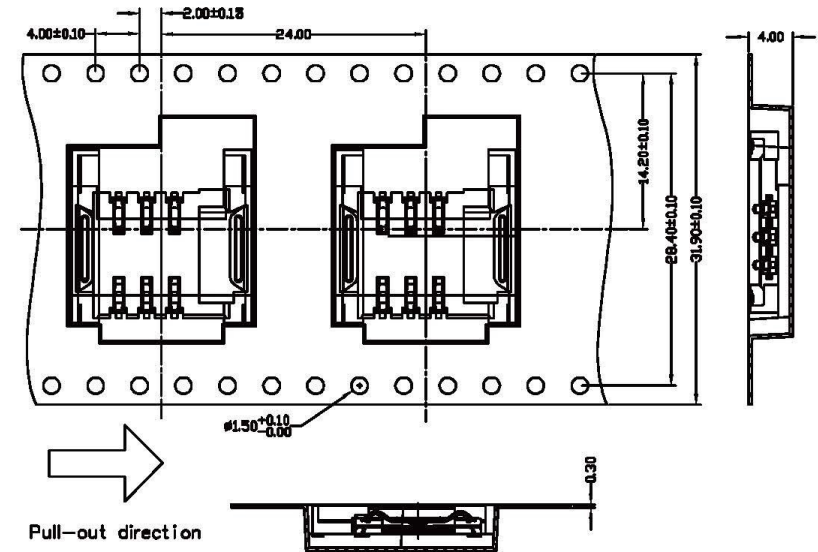


G.W.: 0.85 KGS
Q'ty: 750 pcs per Reel

PULL OUR DIRECTION →



***Carrier Dimensions Diagram**



G.W.: 9.55KGS
Q'ty: 7500Pcs per carton(10 Reels set in order)
Meas: 35.00L x 35.00W x 31.50H cm

All Connectors

www.allconnectors.de info@allconnectors.de
Tel.: 0049 711 7009503 Fax: 0049 711 7009504
70794 Filderstadt - Germany Kettnerstr. 25

RoHS Compliant

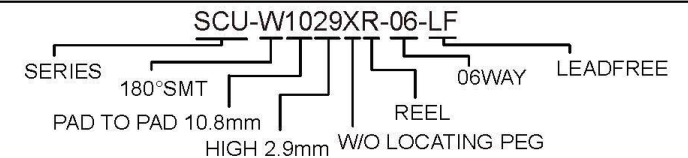
DRAWING BY CY
CHECKED BY GENIUS
UNIT/ mm SCALE 1:1
DATE
SIZE A4 PROJECTION

TOLERANCES ARE

X ±
.X ± 0.30
.XX ± 0.25
.XXX ± 0.15
ANG ±



ORDER INFORMATION



DESCRIPTION: SIM CARD CONNECTOR 6PIN PACKING