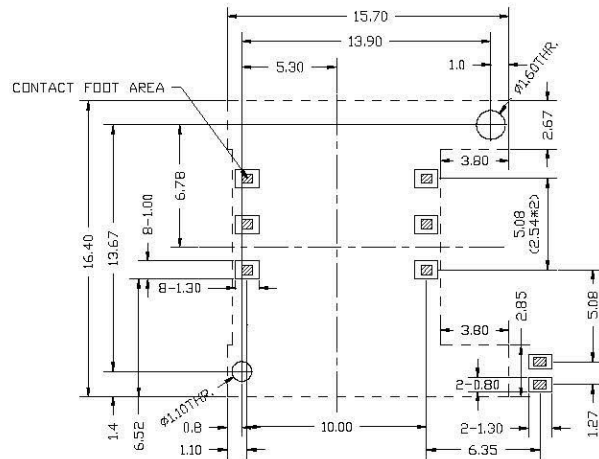
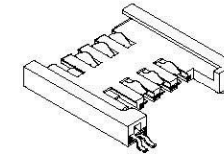


Unit: mm; Tolerances:  $\pm 0.10\text{mm}$   
Mechanical outline dimension



Unit: mm; Tolerances:  $\pm 0.10\text{mm}$   
Reference dimension for PCB layout



## TECHNICAL CHARACTERISTICS

### 1. General Characteristics

Dimensions: 15.70L x 16.40 W x 2.60H mm

Weight: Approx. 0.45 g

Contact principle: Friction technology

Operating position: Shaft up / Down / Horizontal

Mounting System: SMT (Post optional)

Durability: 10,000 cycles min.

### 2. Mechanical Characteristics:

Insulation material: Thermoplastic, UL 94V-0

### 3. Electrical Characteristics

Number of contacts (optional): 6, 8 pins

Switch type: Blade

Operation: Normally open

Contact resistance: 50 m Ohm typical, 100 m Ohm max.

Insulation resistance: > 1000 MOHM / 500 VDC

### 4. Solderability

Wave: Not applicable

Vaporphase: 215°C, 30 sec. Max.

IR reflow: 230°C, 15 sec. Max.

Manual soldering: 360°C, 3 sec. Max.

### 5. Environmental Characteristics

Operating temperature: - 40°C ~ + 85°C

Operating humidity: 10 % ~ 95 % RH

Storage temperature: - 40°C ~ + 85°C

Storage humidity: 10 % ~ 95 % RH

Thermal shock: - 40°C ~ + 85°C, 5 cycles

Damp Heat: 40°C, 90 % RH, 500HR.

Salt-mist: 35°C, 5%, NaCl , 48H.

**RoHS Compliant**

TOLERANCES ARE

**All Connectors**

DRAWING BY CY

X. ±

CHECKED BY GENIUS

X ±

UNIT / mm

SCALE 1 : 1

.XX ±

DATE

.XXX ±

ANG ±

SIZE A4

P PROJECTION

www.allconnectors.de

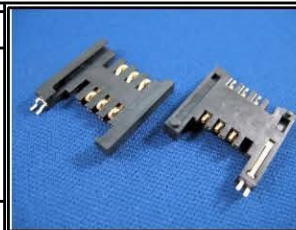
info@allconnectors.de

Tel.: 0049 711 7009703

Fax: 0049 711 7009704

70794 Hilderstet, Germany

Koellnersch. 25



**ORDER INFORMATION**

SCU-W1026PBR-06-LF

SERIES | | | | | LEADFREE

06WAY

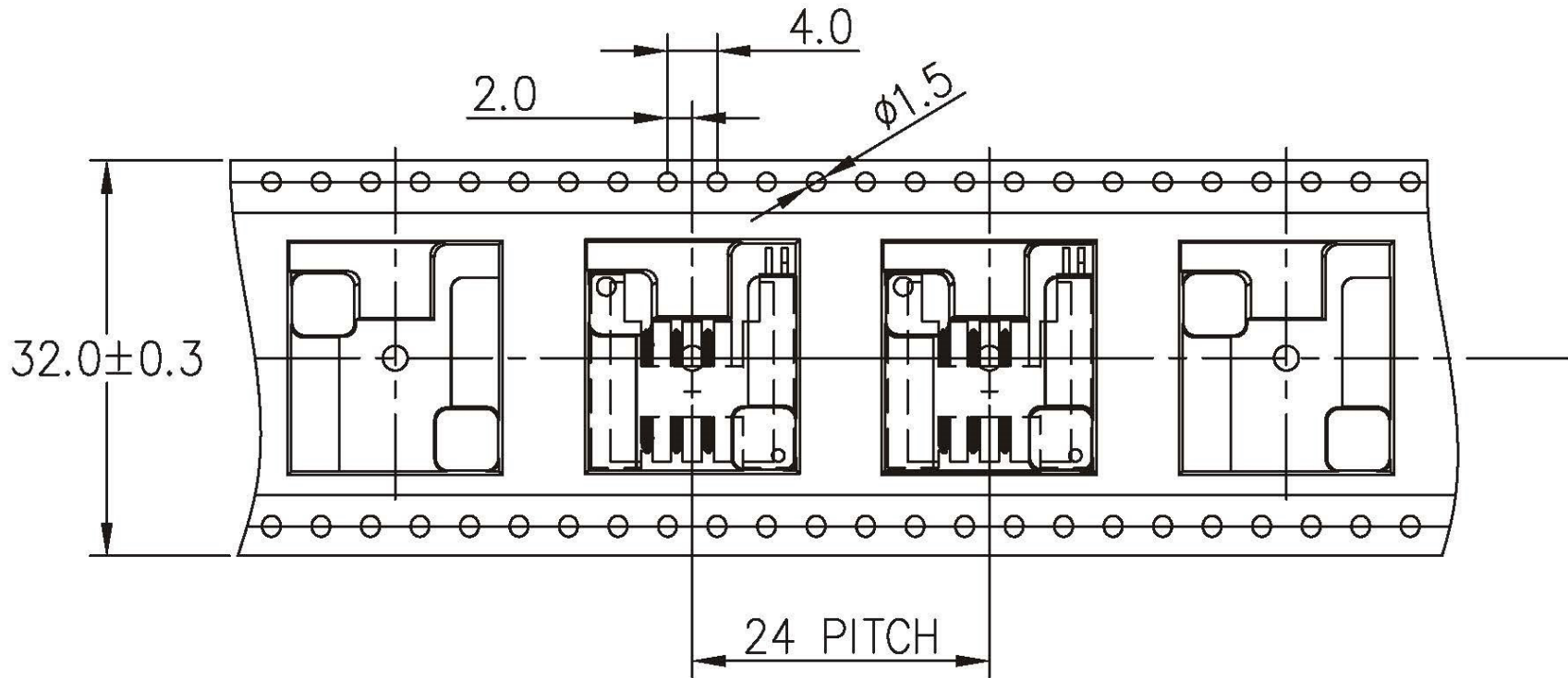
REEL

90°SMT | | | | | OPEN SWITCH

PAD TO PAD 10.0mm | | | | | POST

BODY HIGH 2.6mm

DESCRIPTION:

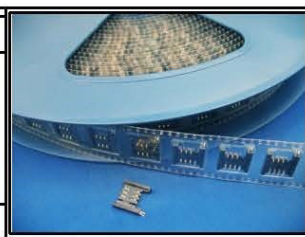


**All Connectors**

www.allconnectors.de info@allconnectors.de  
 Tel.: 0049 /11 4006303 Fax: 0049 /11 4006004  
 10117 Berlin - Germany Kettestr. 25

**RoHS Compliant**

DRAWING BY CY		TOLERANCES ARE
CHECKED BY GENIUS		
UNIT / mm	SCALE 1 : 1	X ±
DATE		.X ±
SIZE A4	PJECTION	.XX ±
		.XXX ±
		ANG ±



**ORDER INFORMATION**

SCU-W1026PBR-06-LF  
 SERIES | | | | | LEADFREE  
 | | | | | 06WAY  
 | | | | | REEL  
 90°SMT | | | | | OPEN SWITCH  
 PAD TO PAD 10.0mm | | | | | POST  
 | | | | | BODY HIGH 2.6mm

DESCRIPTION: