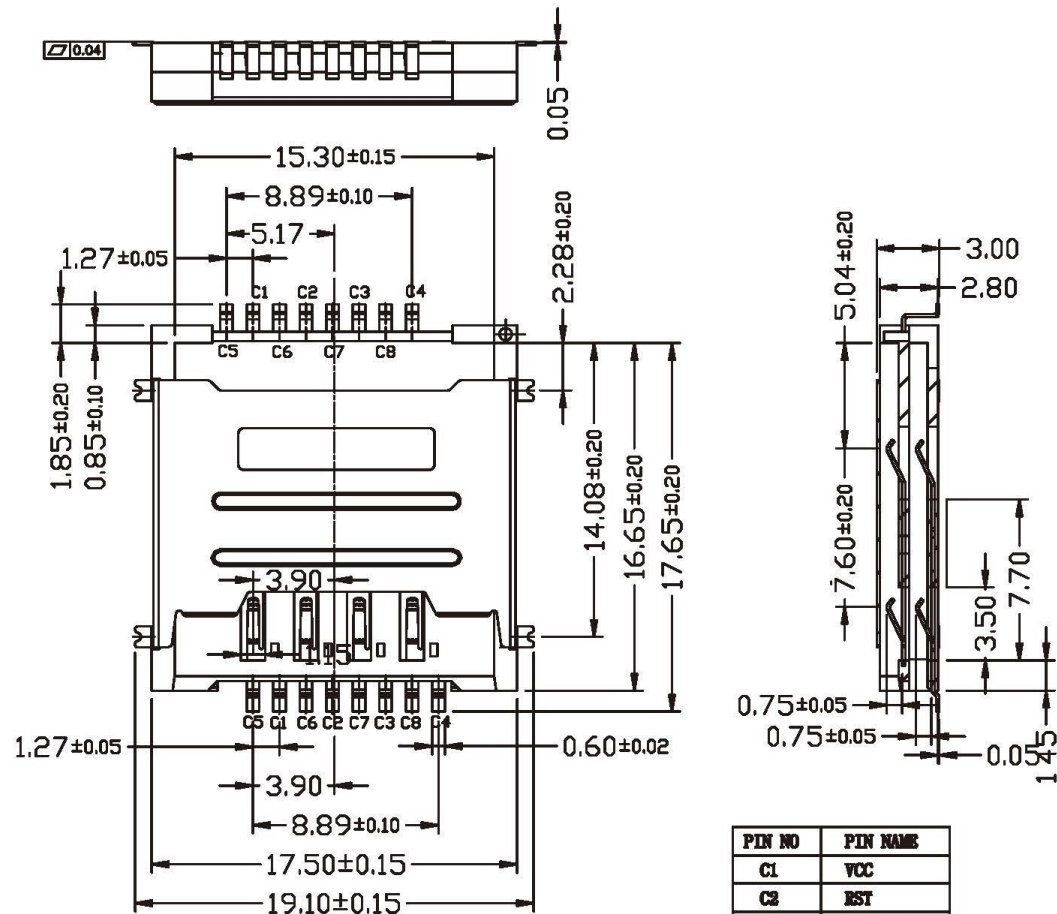
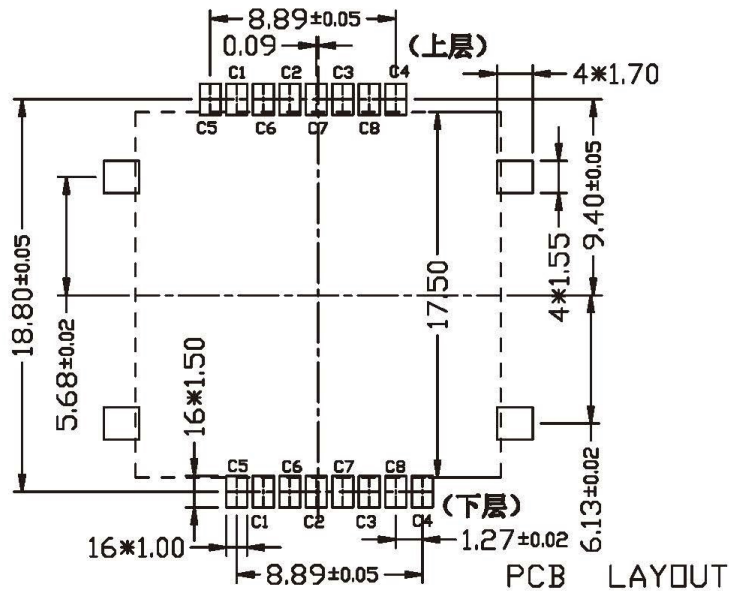
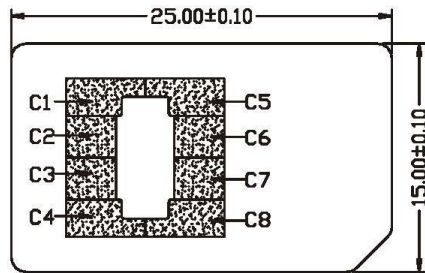


**NOTE:**

- 1.MATERIAL:
  - 1.1 HOUSING: HIGH THERMOPLASTIC ,UL 94V-0 COLOR: BLACK.
  - 1.2 CONTACT: 5191R-H,T=0.15±0.01;
  - 1.3 SHELL: C2680R-H,T=0.15±0.01;
- 2.FINISH: 2.1 CONTACT: GOLD OVER NICKEL
  - 2.2 SHELL: NICKEL OVER ALL OVER, G/F OVER SOLDER AREA;
- 3.RATING: OPERATING VOLTAGE: 30V
  - CURRENT RATING: 0.5A
  - OPERATING TEMPERATURE:-20°C~+85°C



PIN NO	PIN NAME
C1	VCC
C2	RST
C3	CLK
C4	Reserved
C5	GND
C6	VPP
C7	I/O
C8	Reserved

**RoHS Compliant**

**All Connectors**

www.allconnectors.de info@allconnectors.de  
 Tel.: 0049 711 7009503 Fax: 0049 711 7009504  
 70794 Filderstadt - Germany Kettenerstr. 25

DRAWING BY CY  
 CHECKED BY GENIUS  
 UNIT/ mm SCALE 1:1  
 DATE  
 SIZE A4 PROJECTION

TOLERANCES ARE  
 X ±  
 X ± 0.10  
 .XX ± 0.05  
 .XXX ±  
 ANG ±



**ORDER INFORMATION**

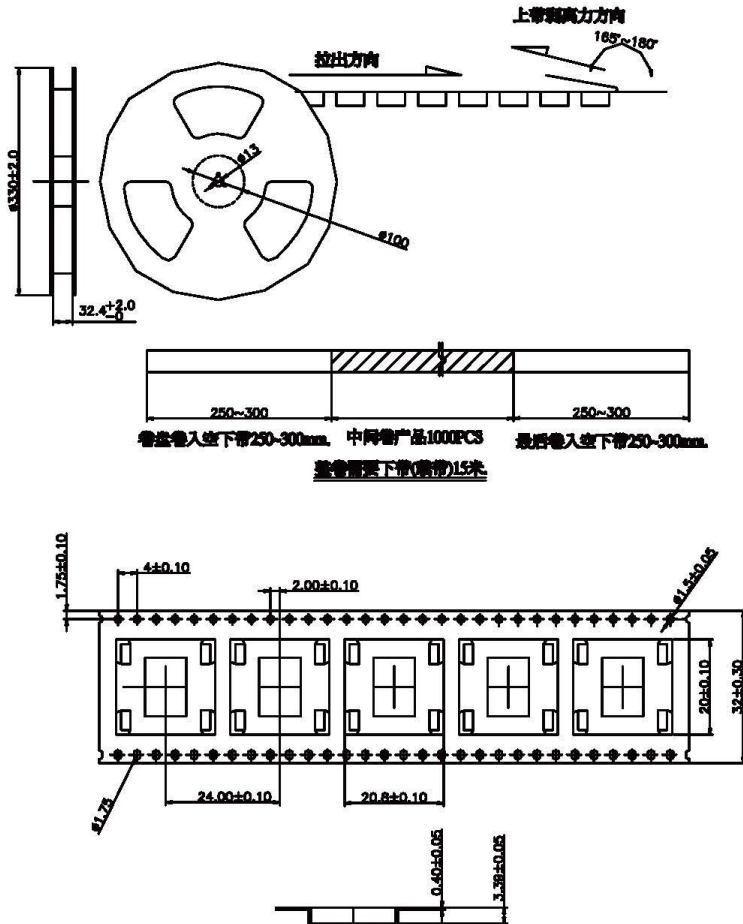
SCTB1-WER-08-LF

SERIES REEL 08WAY LEADFREE  
 EAR 90°SMT

**DESCRIPTION:**

NOTES:

1. PRIMARY PACKING: 700PCS UNITS/REEL;
2. SECONDARY PACKING: 8 REELS/CARTON(5600PCS PCS/CARTON)
3. PEELING RESISTANCE: 0.2~0.8N(20.4gf~81.6gf).
4. PEELING ANGLE: 165°~180°
5. PEELING SPEED: 300mm/minutes.
6. CARTON SIZE: 350\*350\*250(mm)

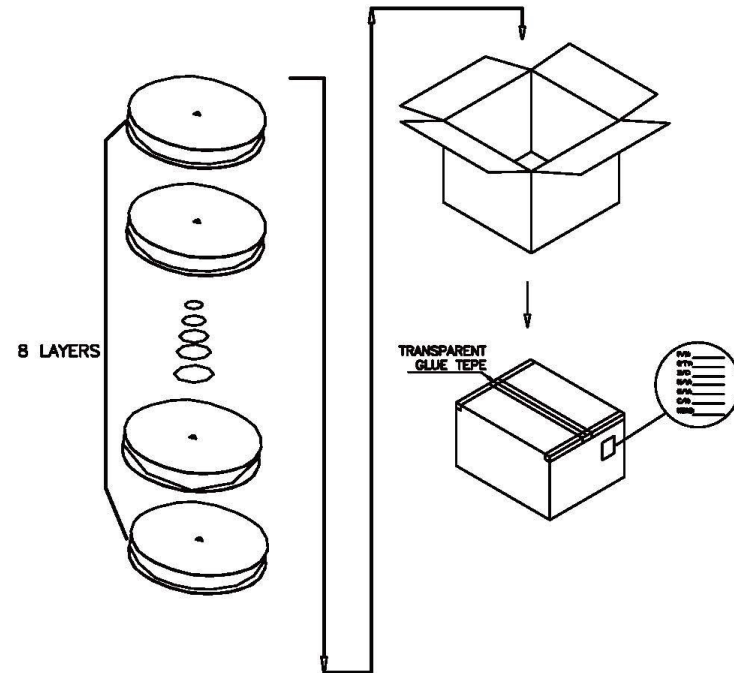


1.包装方式:

- 1.1. 先将下带(载带) 插入包装机轨道中,并带上带(卷带)贴合在上面,其中初始200~250mm空槽不要放产品,然后将产品按照所示方向依次放入下带内,每个槽放1PC,每卷共包装产品700PCS,最后留260~300mm空槽不放产品.
- 1.2. 用脚踏将下带粘在一起,在卷盘上标贴,注明料号,日期,数量等.
- 1.3. 如图示,先对外箱底部封好胶纸,然后包装有产品卷盘以标准朝上方式不放入外箱中,最后用脚踏封箱,并在脚底的外箱标准上注明相关内容.
- 1.4. 一物放3层纸箱,每层放3箱,在准备好的纸箱外用透明胶纸八个棱角,再用保鲜带缠10层.(此点针对空运运输包装.)

注意:

1. 防止产品被压, 避免禁止重压产品表面;
2. 产品在 下带中的方向按照图示



**All Connectors**

www.allconnectors.de  
Tel.: 0049 711 7009503  
70794 Filderstadt - Germany

info@allconnectors.de  
Fax: 0049 711 7009504  
Kettenerstr. 25

**RoHS Compliant**

DRAWING BY CY  
CHECKED BY GENIUS  
UNIT/ mm SCALE 1:1  
DATE  
SIZE A4

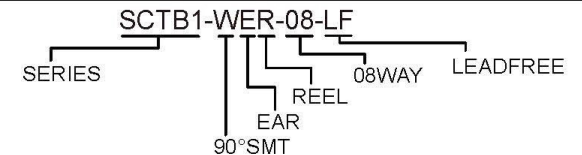
TOLERANCES ARE

X ±  
.X ± 0.10  
.XX ± 0.05  
.XXX ±  
ANG ±

PJECTION



ORDER INFORMATION



DESCRIPTION: SIM CARD Connector Double-deck Type Packing SPEC.