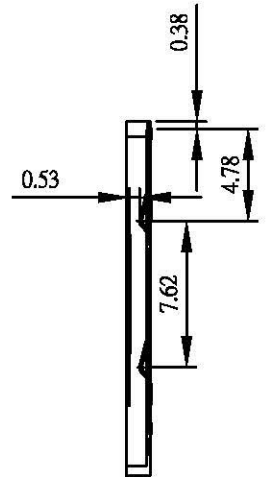
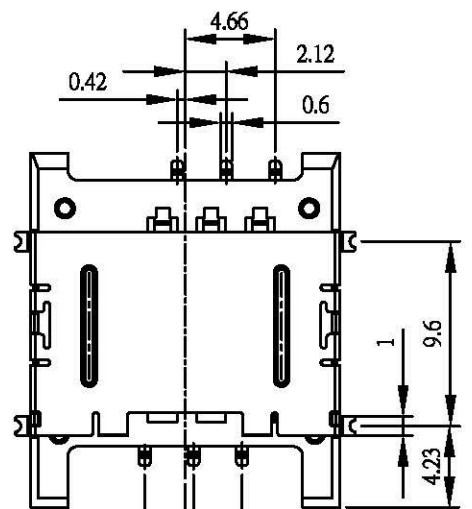
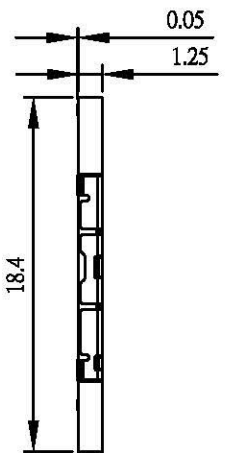
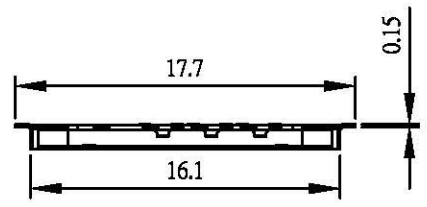
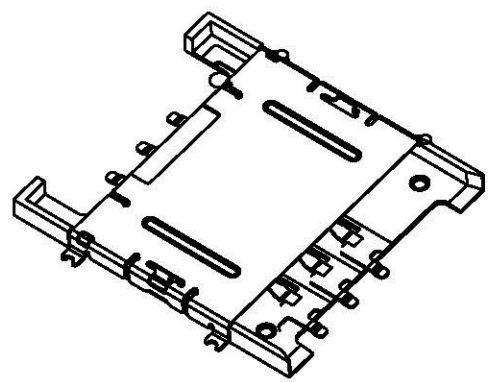
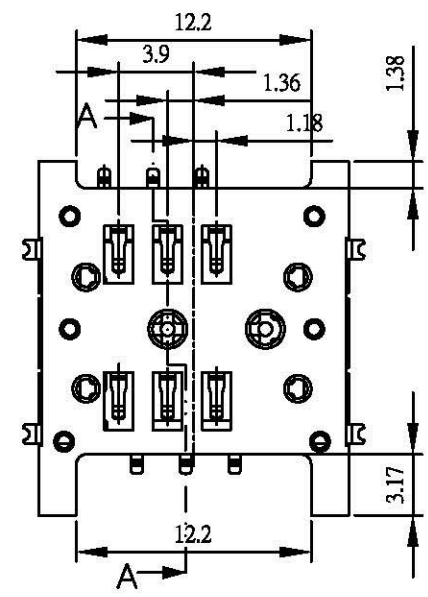
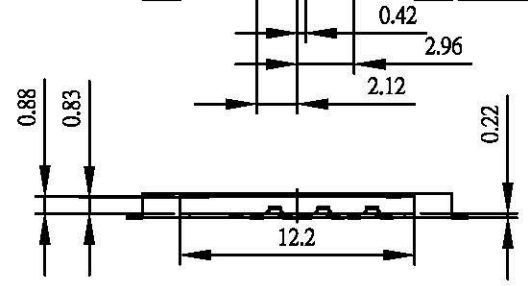


1 2 3 4 5 6 7 8 9 0

J
I
H
G
F
E
D
C
B
A



SECTION A-A



- Notes:
- 1) Material: 1. HOUSING: LCP, BLACK
2. CONTACT: Phosphor Bronze, C5210, T0. 12
3. SHIELD: sus304, 1/2h, T0. 15
 - 2) Plating: 1. Terminal: Contact area Gold plating 3u" over Ni underplate

SCT-W1512X-06L-LF
LEADFREE
RoHS Compliant

Allconnectors
www.allconnectors.de
info@allconnectors.de
Kollmachersstr. 25
70794 Filderstadt Germany

PART NO. SCT-W1512X-06L
DWG NO. SCT-W1512X-06L

CHECKED BY CY
DRAWING BY

TOLERANCES ARE
.X ±
.XX ±
.XXX ±
AWG

DESCRIPTION:			
AREA	REVISIONS	HK	DATE

UNIT / mm SCALE 1:1

PROJECTION