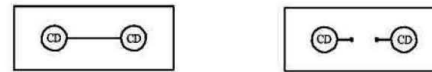


CIRCUIT



WITHOUT CARD

CARD INSERTED

Pin #	Name
C1	VCC
C2	MCLR
C3	RB6/Osc1
C5	VSS
C6	VPP
C7	RB7

NOTE:

- SOLDER TAIL TO BE WITHIN 0.05 UPWARD AND 0.2 DOWNWARD FROM Z-DATUM PLACE, AND COPLANALITY OF SOLDER TAILS TO BE WITHIN 0.10 MEASUREMENT POINT IS SOLDER TAILS TIP.
- INSPECTION SYMBOL:
● : MANUFACTURER INSPECTION
◆ : Q.C INSPECTION

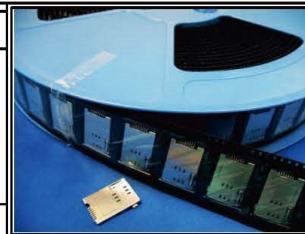
RoHS Compliant

All Connectors

www.allconnectors.de info@allconnectors.de
Tel.: 0049 711 7009503 Fax: 0049 711 7009504
70794 Filderstadt - Germany Kettenerstr. 25

DRAWING BY CY
CHECKED BY GENIUS
UNIT/ mm **SCALE 1 : 1**
DATE **SIZE A4**
TOLERANCES ARE
X ±
.X ±
.XX ±
.XXX ±
ANG ±

PPOJECTION



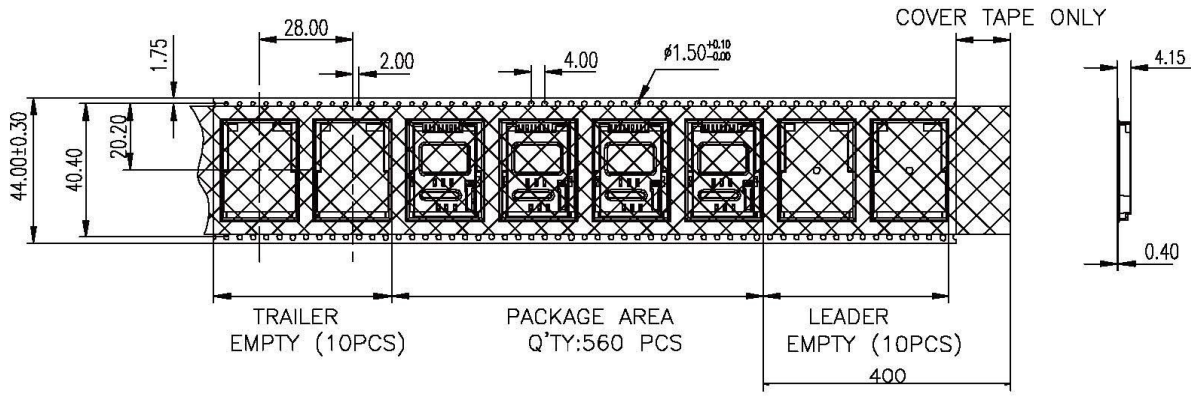
ORDER INFORMATION

SCP-W14PAR-06-LF

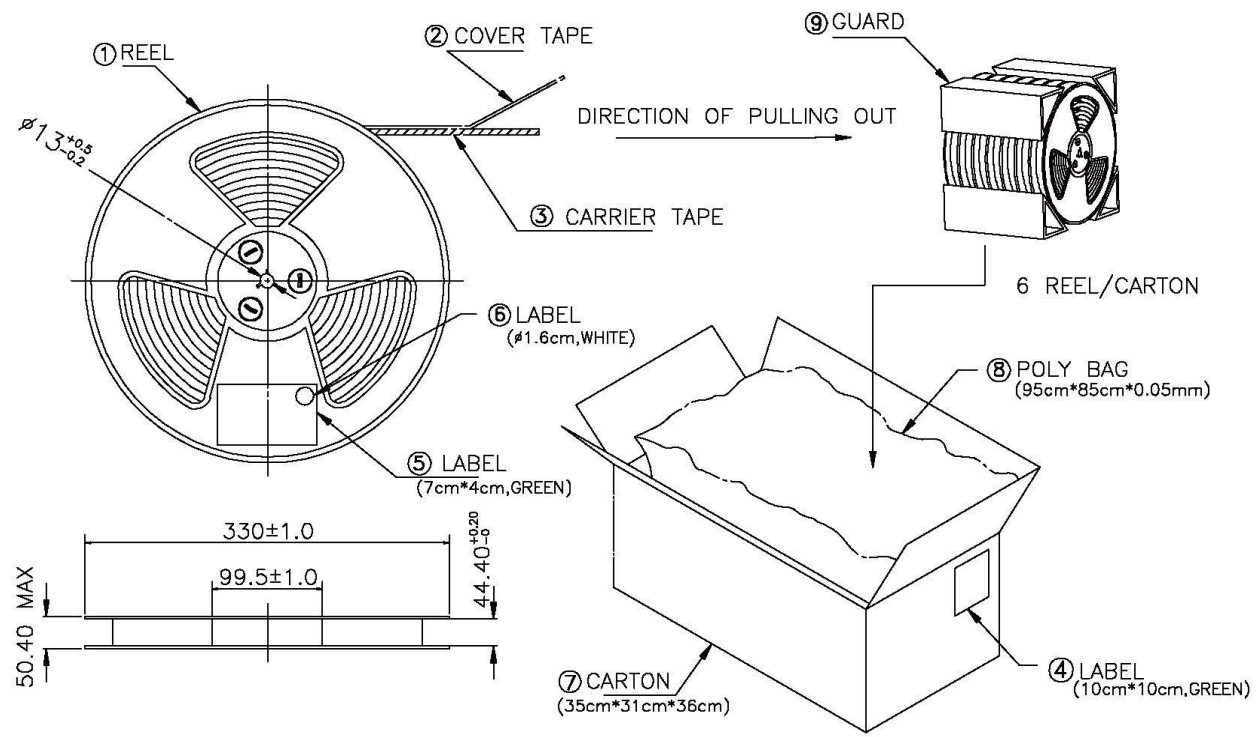
SERIES 90°SMT REEL 06WAY LEADFREE

POST TO POST 14.0mm CLOSED TYPE PUSH PUSH

DESCRIPTION:



	MATERIAL	P/N	REMARKS
1	REEL	REEL-RA144	H=50.4 Max
2	COVER	REEL-UC375	W=37.50mm
3	CARRIER TAPE	REEL-086LAB4402	W=44.00mm
4	LABEL(for RoHS)	CTP-0002	1 LABEL/CARTON
5	LABEL(for RoHS)	CTB-0004	1 LABEL/REEL
6	LABEL(for RoHS)	CTB-0005	1 LABEL/REEL
7	CARTON	CTN-C100H	CARTON/6REEL/3360PCS
8	POLY BAG	P-0001	1 BAG/CARTON
9	GUARD	CTN-N3025	4 GUARDS/CARTON



All Connectors
 www.allconnectors.de
 Tel.: 0049 711 7009503
 70794 Filderstadt - Germany

info@allconnectors.de
 Fax: 0049 711 7009504
 Kettenerstr. 25

RoHS Compliant

DRAWING BY CY
 CHECKED BY GENIUS

UNIT/ mm SCALE 1 : 1

DATE
 SIZE A4

TOLERANCES ARE
 X ±
 .X ±
 .XX ±
 .XXX ±
 ANG ±

PJECTION



ORDER INFORMATION

SCP-W14PAR-06-LF

SERIES 90°SMT 06WAY REEL LEADFREE

POST TO POST 14.0mm CLOSED TYPE PUSH PUSH

DESCRIPTION: Sim Card Conn. Push Push Type Packing Info.