

TECHNICAL CHARACTERISTICS

1. General Characteristics

Dimension: 15.10L x 13.00W x 1.30H mm
 Weight: Approx. g
 Contact principle: Friction technology
 Operating position: Shaft up / Down / Horizontal
 Mounting System: SMT Type (without post)
 Durability: 5,000 cycles min.

2. Mechanical Characteristics

Insulation material: Thermoplastic, UL 94V-0
 RoHS Directive 2002/95/EC Compliant

3. Electrical Characteristics

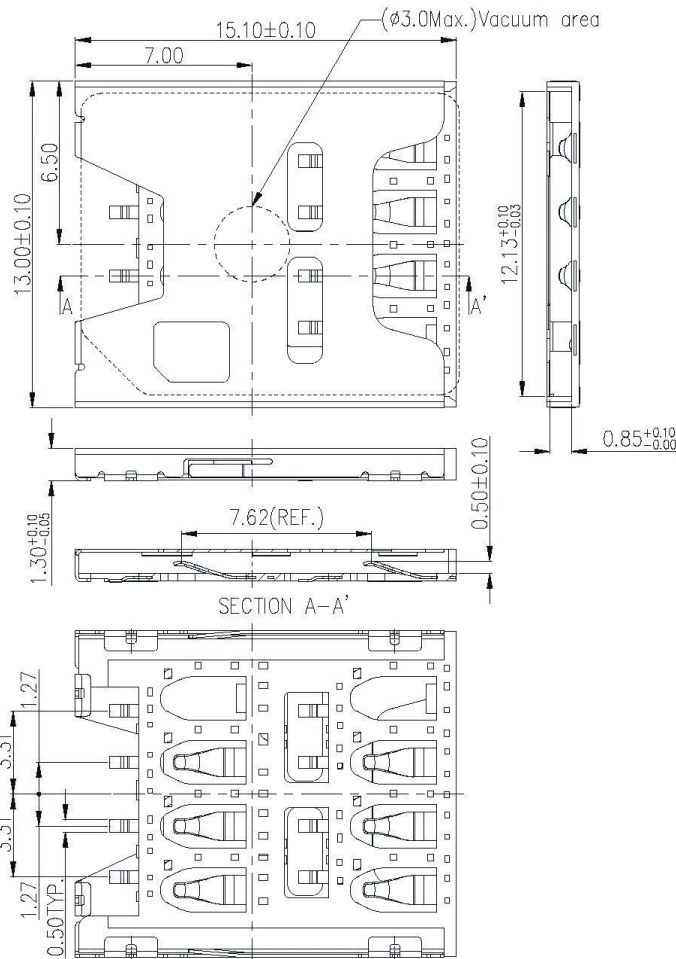
Number of contacts: 6, 8 pins (optional)
 Contact resistance: 50 m typical, 100 m max.
 Insulation resistance: >1000 M / 500 VDC

4. Solderability

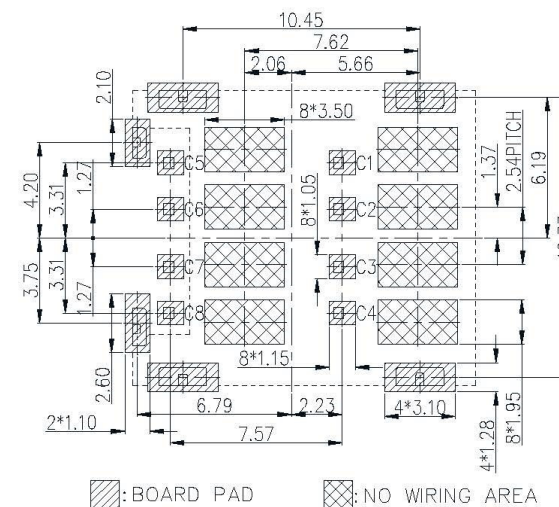
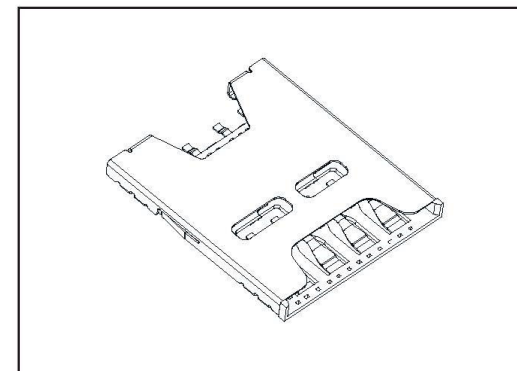
Wave: Not applicable
 IR reflow: 260C, 10 sec. Max.
 Manual soldering: 360C, 3 sec. Max.

5. Environmental Characteristics

Operating temperature: - 40C ~ + 85 C
 Operating humidity: 10 % ~ 95 % RH
 Storage temperature: - 40C ~ + 85 C
 Storage humidity: 10 % ~ 95 % RH

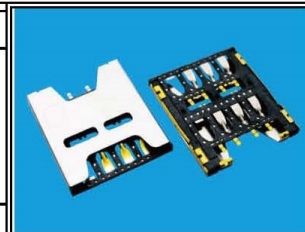


Unit: mm; Tolerances: 0.15 mm
 Mechanical outline dimension



Unit: mm; Tolerances: 0.05 mm
 Reference dimension for PCB layout

		RoHS Compliant		TOLERANCES ARE	
		DRAWING BY CY		X ±	
www.allconnectors.de		info@allconnectors.de		.X ±	
Tel.: 0049 711 7009503		Fax: 0049 711 7009504		.XX ±	
70794 Filderstadt - Germany		Kettenerstr. 25		.XXX ±	
DATE		SCALE 1:1		ANG ±	
SIZE A4		PROJECTION			



ORDER INFORMATION			
MISCT-W0713X-xx-LF			
SERIES	90°SMT	06.08WAY	LEADFREE
PAD TO PAD 7.57mm		NON POST	
		HIGH 1.3mm	
DESCRIPTION:			