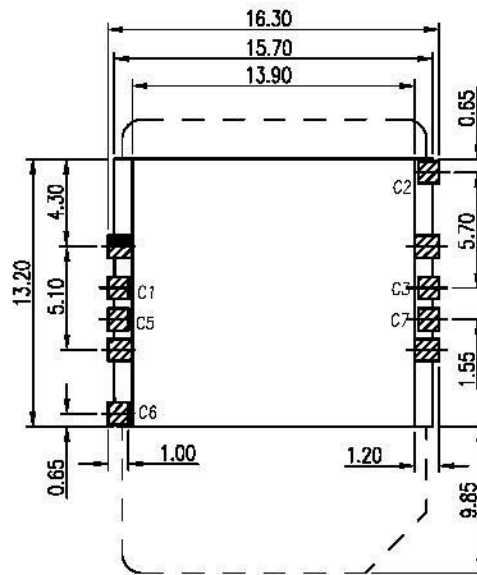
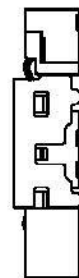
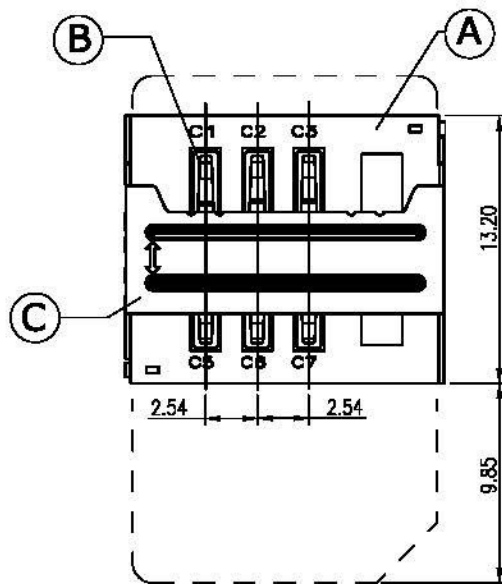
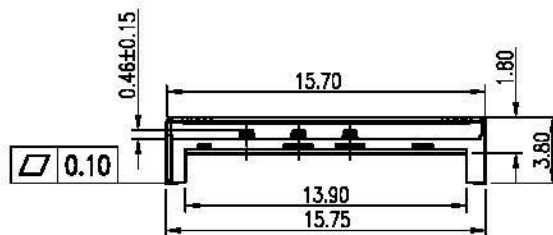


1	2	3	4	5	6	7	8	9	10
SWITCH CIRCUIT			MATERIAL AND FINISH AS BELOW						
WHEN CARD IS EJECTED		WHEN CARD IS INSERTED	A	Housing	LCP UL94V-0 Black	E			
			B	Contact	Phosphor Bronze C5191, 0.15t, Contact Area:3u" Gold,Solder Area:Gold Flash	F			
			C	Shell	Stainless Steel SUS304 0.2t, Nickel Plating	G			
						H			



REFERENCE PCB LAYOUT



SPECIFICATION:

1. ELECTRICAL

- 1.1 Current Rating: 1.0A
- 1.2 Voltage Rating: 30V AC/DC
- 1.3 Contact Resistance: 50mΩ
- 1.4 Insulation Resistance: 1000MΩ
- 1.5 Dielectric Withstanding Voltage: 500VDC

2. MECHANICAL

- 2.1 Durability: 10000 Cycle

3. ENVIRONMENTAL

- 3.1 Operating temperature range: -40°C~+85°C
- 3.2 Storage temperature range: -40°C~+85°C

4. SOLDER ABILITY

- 4.1 Recommended IR Reflow Temperature: 260°C

VCC	RST	CLK	N/A	GND	VPP	I/O	N/A				
C1	C2	C3	C4	C5	C6	C7	C8				

PIN ASSIGNMENT

115K-AB380	SIM Card Socket with Stand off , Contact Area:3u" Gold
PRODUCT NO.	DESCRIPTION

UNLESS OTHERWISE SPECIFIED TOLERANCE

ANGLES	ANG.	±5°
	0.	±0.3
LINEAR	0.0	±0.25
	0.00	±0.20

SCALE AS SHOWN UNIT: mm

DRAWN	Willis	2013/09/24
CHECKED	Angel	2013/09/24
APPROVED	Ken	2013/09/24



sales@allconnectors.com
Tel: +86 755 20530300
www.allconnectors.com

lin@allconnectors.com
Fax: +86 755 20530301
sales@allconnectors.com

DRAWN NAME:	
SIM Card Socket with Stand off	
PRODUCT NO.	115K-AB380
FILE NAME	115K-AB380_B_1

REV.	DESCRIPTION	DATE	REV.	DESCRIPTION	DATE
1			4		
2			5		
3			6		
4			7		
5			8		
6			9		
7			10		

REV.	DESCRIPTION	DATE	REV.	DESCRIPTION	DATE	SIZE	REV.	FILE NAME
1			4			A4	1.0	115K-AB380_B_1