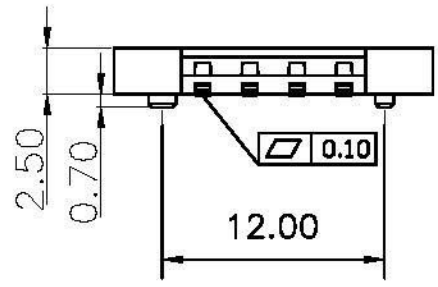
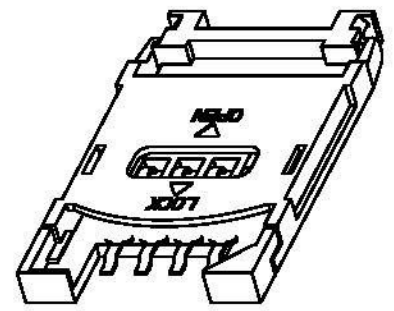
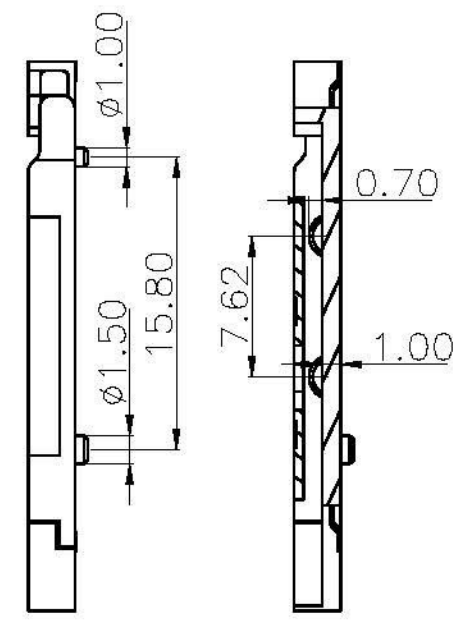
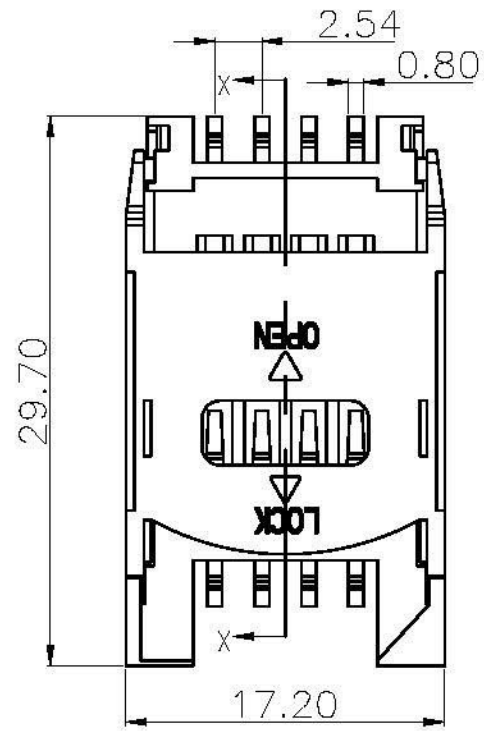


RECOMMENDED PCB LAYOUT



115F-A C A 0-R
1 2 3 4 5

- 1.Type A:6pin
- 2.Contact Plating C:5u" Gold Plating
- 3.Stand off A:0mm
- 4.Peg 0:w/peg
- 5.RoHS

NOTE:
 1.GENERAL CHARACTERISTICS
 DURABILITY:5000 CYCLES.
 OPERATIO TEMPERATURE:-25°C TO +85°C.
 2.ELECTRICAL CHARACTERISTICS
 CONTACT RESISTANCE:30M OHMS MAX.
 INSULATION RESISTANCE:>1000M OHMS MIN /500V DC.
 RATED CURRENT:0.5A MAX.
 WITHSTANDING DIELECTRIC VOLTAGE:500V AC R.M.S FOR 1MINUTE.
 3.SOLDERABILITY
 MAX PROCESSING TEMP:260°C FOR 10 SEC.

PART NAME	Q'TY	Material
HOUSING	1	LCP+30%GF
COVER	1	LCP+30%GF
CONTACT	8	C5210R-EH,GOLD 5u'

UNLESS OTHERWISE SPECIFIED TOLERANCE		
ANGLES	ANG.	±5°
	0.	±0.3
LINEAR	0.0	±0.25
	0.00	±0.20
SCALE	AS SHOWN	UNIT: mm
DRAWN	Willis	2012/08/03
CHECKED	Angel	2012/08/03
APPROVED	Ken	2012/08/03

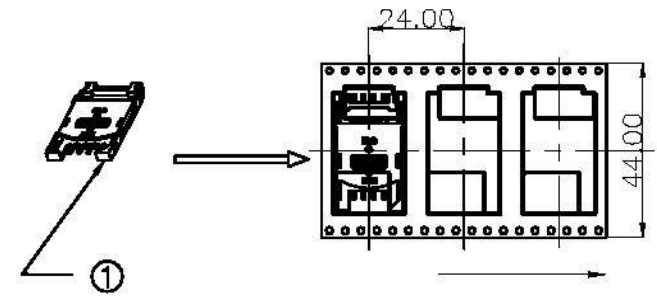
All Connectors
 www.allconnectors.de info@allconnectors.de
 T: +49 711 209913 Fax: +49 711 209954
 70391 Hilderstadt · Germany telefon@ac.de

DRAWN NAME:
SIM Card Socket Hinge Type With Switch Function

PRODUCT NO. 115F-ACA0-R
FILE NAME 115F-ACA0-R_B_2

- △ Revise:
- △ Revise:
- △ Revise:

REV.	DESCRIPTION	DATE	REV.	DESCRIPTION	DATE	SIZE	REV.	FILE NAME
1			4			A4	1.0	115F-ACA0-R_B_2

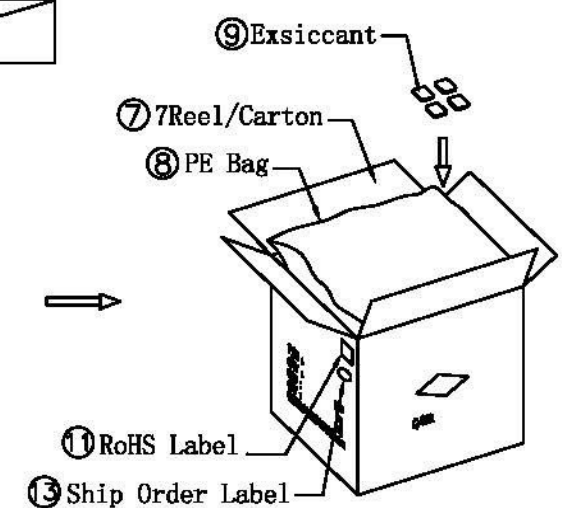
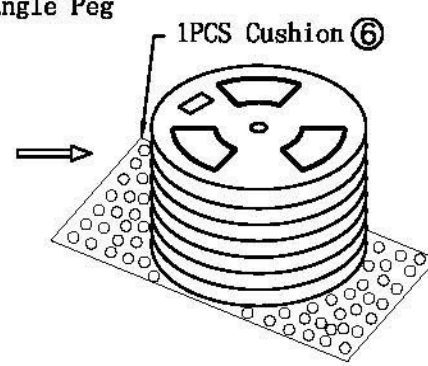
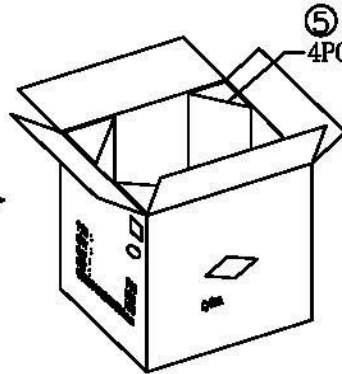
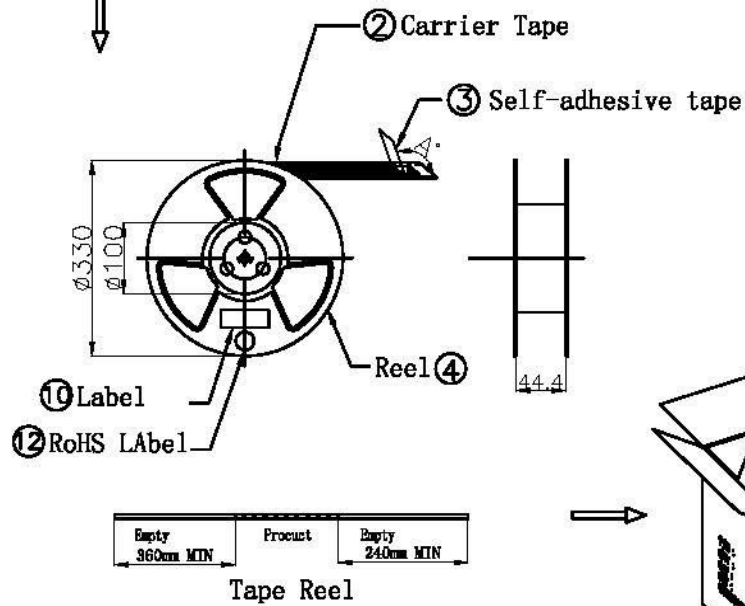


Note:

1. 500PCS/Reel 3500PCS/7Reel/Carton
 2. N.W=3.5Kg G.W=8.18Kg

TABLE:

⑬	RoHS Label	1	PCS	/	
⑫	RoHS Label	7	PCS		
⑪	Ship Order Label	1	PCS		
⑩	Label	7	PCS		
⑨	Exsiccant	4	bag		
⑧	PE Bag	1	PCS		L800*W750mm
⑦	Exterior Carton	1	PCS		K-K. L346*W346*H362mm
⑥	Cushion	1	PCS		L*100
⑤	Triangle Peg	4	PCS		L330*H345mm
④	Reel	7	PCS		□B30*100mm, W=45mm
③	Self-adhesive tape	12.7	m		W=37.5, 12.7M/REEL
②	Carrier Tape	12.6	m		W=44mm, T=0.35mm, 12.6M/REEL
①	SIM Card Hinge type socket with card detect switch		UNIT		



						UNLESS OTHERWISE SPECIFIED TOLERANCE			 www.allconnectors.de info@allconnectors.de Tel: 0049 711 700300 Fax: 0049 711 700304 70734 Filderstadt - Germany December 15, 2012	
						ANGLES	ANG.	±5°		
						LINEAR	0.	±0.3		
							0.00	±0.25		
						SCALE	AS SHOWN	UNIT: mm	±0.20	
						DRAWN	Willis	2012/08/03	DRAWN NAME:	
						CHECKED	Angel	2012/08/03	SIM Card Socket Hinge Type With Switch Function	
						APPROVED	Ken	2012/08/03	PRODUCT NO.	115F-ACA0-R
REV.	DESCRIPTION	DATE	REV.	DESCRIPTION	DATE	SIZE	REV.	FILE NAME	115F-ACA0-R_D_2	
1			4			A4	1.0			

△ Revise:
 △ Revise:
 △ Revise: