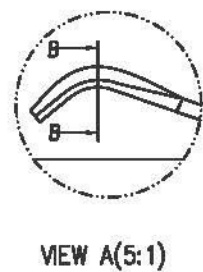
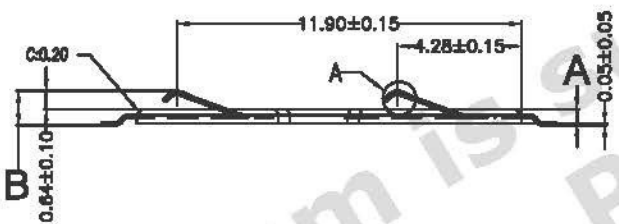


Recommended P.C.B Layout

NOTES:
 *Material
 Body: LCP Or PA9T, UL 94V-0 Rated; Color: Black.
 Contact: Phosphor Bronze.
 Plating: Gold Plating Over Nickel on Contact Area;
 *Electrical Specification
 Operation Voltage: AC 250V Max
 Current Rating: 0.5A Max
 Contact Resistance: 100mΩ max.
 Insulation Resistance: 1000M Min at 500V AC
 Dielectric Withstanding Voltage: 500V AC 1Min
 *Environmental
 Operating Temperature: -25°C~85°C

PRODUCT NUMBER:
 115E-A E X 0-R01
 1 2 3 4

- Type
A:6Pin
- Contact Plating
E:15u"Gold Plating
- Height DIM A
A:0.5mm
B:0.7mm
C:0.9mm
- RoHS

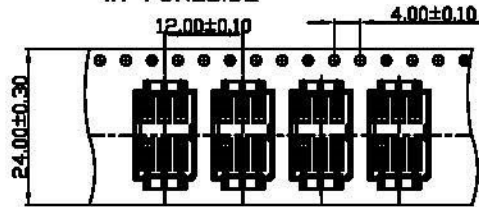


P/N	A	B
115E-AEA0-R01	0.5	1.19
115E-AEB0-R01	0.7	1.39
115E-AEC0-R01	0.9	1.59

REV.	DESCRIPTION	DATE	REV.	DESCRIPTION	DATE	SIZE	REV.	FILE NAME
1			4			A4	1.0	115E-AEX0-R01_B_2

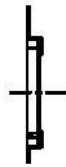
UNLESS OTHERWISE SPECIFIED TOLERANCE			All Connectors	
ANGLES	ANG.	±5°	www.allconnectors.de	
LINEAR	0.	±0.3	Tel: +49 7141 203631	
	0.0	±0.25	Fax: +49 7141 203630	
	0.00	±0.20	70341 Heilbrunn - Germany	
SCALE	AS SHOWN	UNIT: mm	Customer: E	
DRAWN	Willis	2012/08/03	DRAWN NAME:	
CHECKED	Angel	2012/08/03	SIM Card Socket Slim Type	
APPROVED	Ken	2012/08/03	6Pin Pitch2.54 SMT	
			PRODUCT NO.	115E-AE X 0-R01

EMPTY 20 POCKET CARRIER
IN FORESIDE



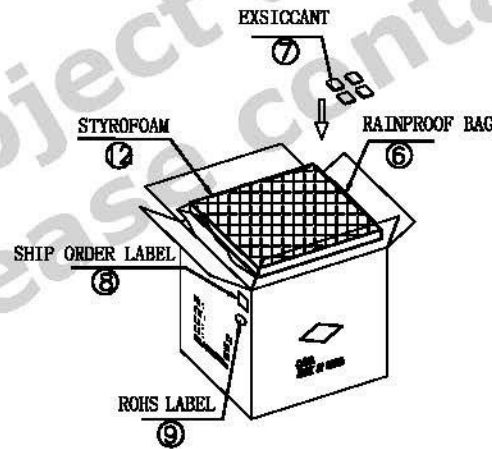
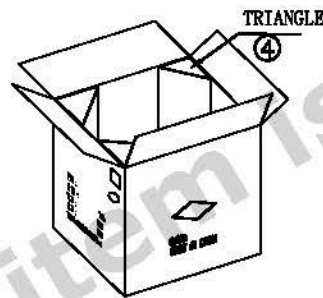
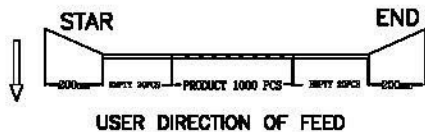
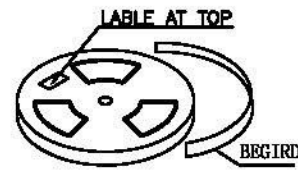
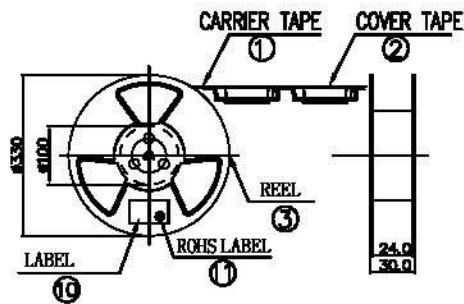
TAPE RUNNING DIRECTION

PLACED 1000 POCKET
IN MIDDLESIDE



NOTE:

1. 1000PCS/REEL
2. 10 REEL/CARTON, 10000PCS/CARTON;
3. GROSS WEIGHT:1.10KG, NET WEIGHT:6.85KG



NO.	MATERIAL	REEL	CARTON	UNIT	REMARK
2	STYROFOAM	2		PCS	340X340X20
1	ROHS LABEL	10		PCS	□15.7
10	LABEL	10		PCS	
9	ROHS LABEL	1		PCS	□10.0
8	SHIP ORDER LABEL	1		PCS	
7	EXSICCANT	4		BAG	
6	RAINPROOF BAG	1		PCS	L800*W750*H0.07mm
5	EXTERIOR CARTON	1		PCS	K=K1346*W346*H352mm
4	TRIANGLE	4		PCS	50*30*275mm
3	REEL	10		SET	φ 330*100mm,W=30.0mm
2	COVER TAPE	1000	10	PCS	W=21.3mm,REEL
1	CARRIER TAPE				W=24.0mm,T=0.40mm,REEL
			QUANTITY		

UNLESS OTHERWISE SPECIFIED TOLERANCE

ANGLE	ANG.	±5°
	0.	±0.3
LINEAR	D.0	±0.25
	D.00	±0.20

SCALE AS SHOWN UNIT: mm

DRAWN Willis 2012/08/03

CHECKED Angel 2012/08/03

APPROVED Ken 2012/08/03

All Connectors

www.allconnectors.de
tel: 0049 711 432904
07101 Idersbach - Germany
info@allconnectors.de
fax: 0049 711 432904
idconnectors.de

DRAWN NAME:
SIM Card Socket Slim Type
6Pin Pitch2.54 SMT

PRODUCT NO. 115E-AE X 0-R01

FILE NAME 115E-AEX0-R01_D_2

- Revise:
- Revise:
- Revise:

REV.	DESCRIPTION	DATE	REV.	DESCRIPTION	DATE	SIZE	REV.	FILE NAME
1			4			A4	1.0	115E-AEX0-R01_D_2