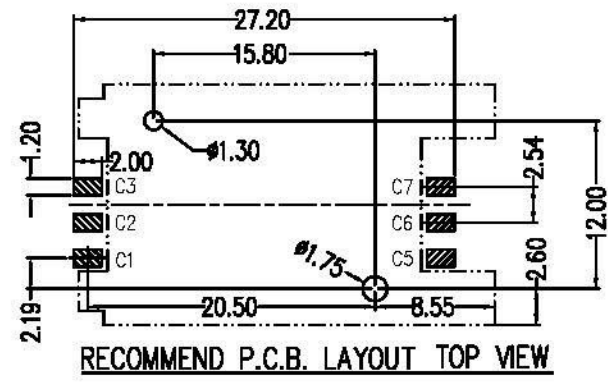
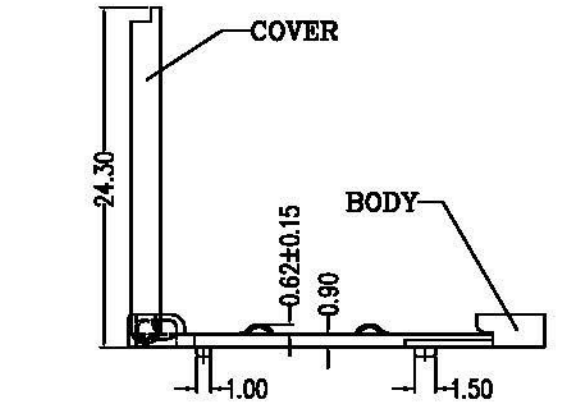
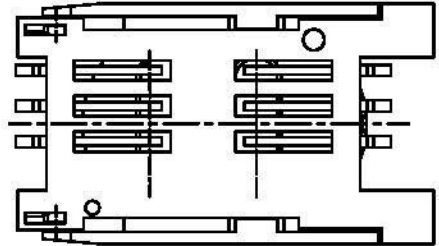
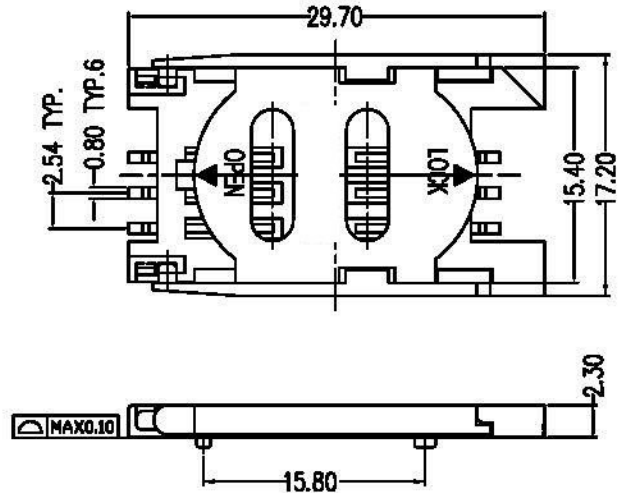


SWITCH CIRCUIT			MATERIAL AND FINISH AS BELOW						
WHEN CARD IS EJECTED	WHEN CARD IS INSERTED	A	Housing	LCP UL94V-0 Black	E				
		B	Cover	LCP UL94V-0 Black	F				
		C	Contact	Phosphor Bronze C5191,Gold Flash Over Nickel Solder Tail: Tin Plating	G				
					H				



**SPECIFICATION:**

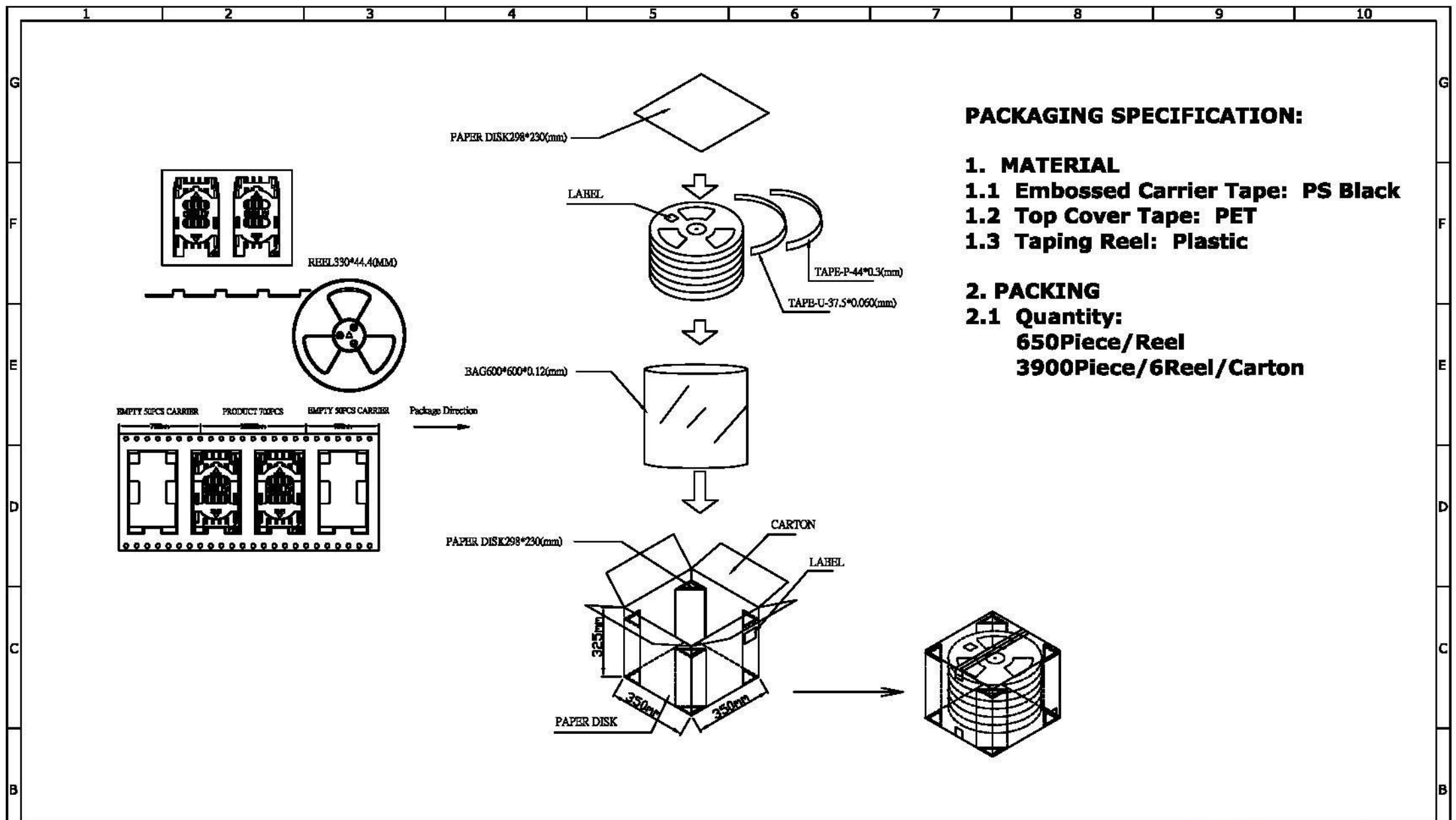
- 1. ELECTRICAL**
    - 1.1 Current Rating: 0.5A per pin
    - 1.2 Voltage Rating: 30V AC/DC
    - 1.3 Contact Resistance: 30mΩ
    - 1.4 Insulation Resistance: 1000MΩ
    - 1.5 Dielectric Withstanding Voltage: 500VAC
  - 2. MECHANICAL**
    - 2.1 Durability: 5000 Cycle
  - 3. ENVIRONMENTAL**
    - 3.1 Operating temperature range: -40°C~+85°C
    - 3.2 Storage temperature range: -40°C~+85°C
  - 4. SOLDER ABILITY**
    - 4.1 Recommended IR Reflow Temperature: 260°C 10Sec
- All materials are RoHS compliance

VCC	RST	CLK	GND	VPP	I/O				
C1	C2	C3	C5	C6	C7				

PIN ASSIGNMENT									
115B-AAA0-R01		SIM Card 6Pin Socket Hinge Type, Gold Flash,With Peg							
PRODUCT NO.		DESCRIPTION							

UNLESS OTHERWISE SPECIFIED TOLERANCE			
ANGLES	ANG.		
LINEAR	0.	±0.3	
	0.00	±0.25	
SCALE	AS SHOWN	UNIT: mm	
DRAWN	Willis	2013/09/06	DRAWN NAME: <b>SIM Card Socket Hinge Type</b>
CHECKED	Angel	2013/09/06	
APPROVED	Ken	2013/09/06	
PRODUCT NO.	115B-AAA0-R01		
FILE NAME	115B-AAA0-R01_B_1		

REV.	DESCRIPTION	DATE	REV.	DESCRIPTION	DATE	SIZE	REV.
1						A4	1.0



**PACKAGING SPECIFICATION:**

- 1. MATERIAL**
  - 1.1 Embossed Carrier Tape: PS Black**
  - 1.2 Top Cover Tape: PET**
  - 1.3 Taping Reel: Plastic**
- 2. PACKING**
  - 2.1 Quantity:**
  - 650Piece/Reel**
  - 3900Piece/6Reel/Carton**

						UNLESS OTHERWISE SPECIFIED TOLERANCE				
						ANGLES	ANG.	±5°		
						LINEAR	0.	±0.3		
							0.00	±0.25		
						SCALE	AS SHOWN	UNIT: mm	www.allconnectors.de Tel: +49 (0) 7141 20 10 0 All Connectors - Germany Industriepark 72610 AUBACH Germany	
A						DRAWN	Willis	2013/09/06	DRAWN NAME:	
A						CHECKED	Angel	2013/09/06	SIM Card Socket Hinge Type	
A						APPROVED	Ken	2013/09/06	PRODUCT NO.	115B-XXXX-R01
REV.	DESCRIPTION		DATE	REV.	DESCRIPTION		DATE	SIZE	REV.	FILE NAME
1								A4	1.0	115B-XXXX-R01_D_1