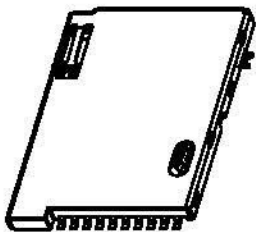
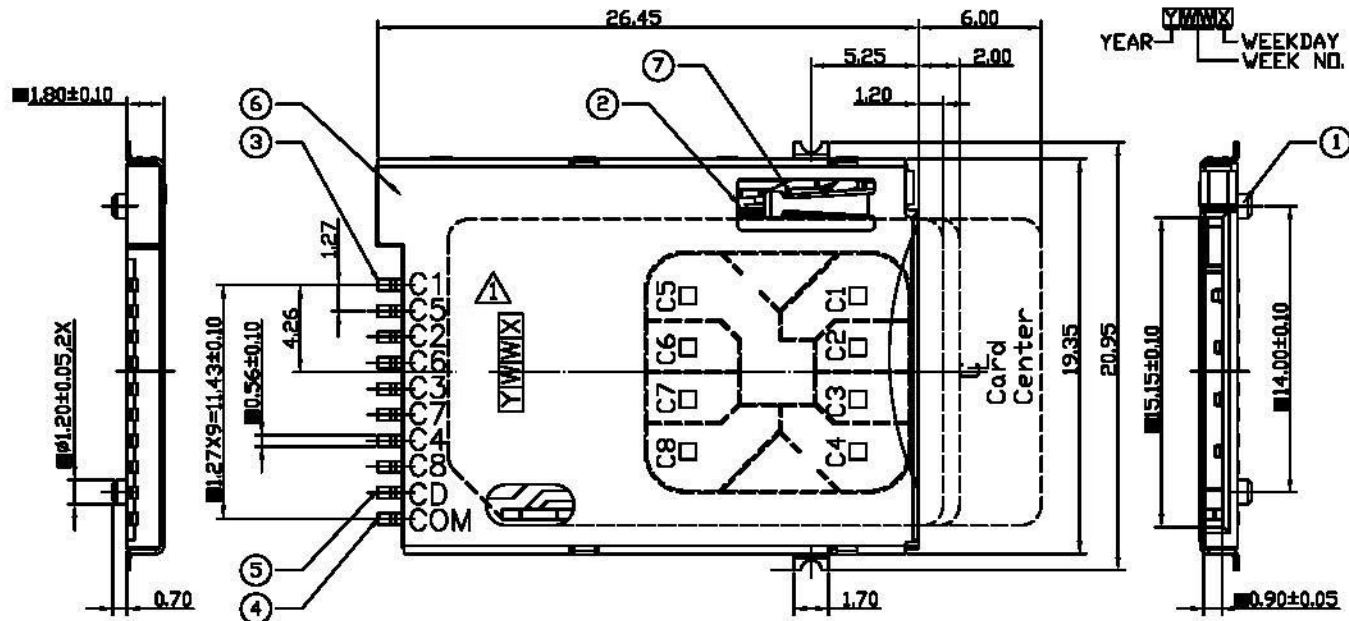
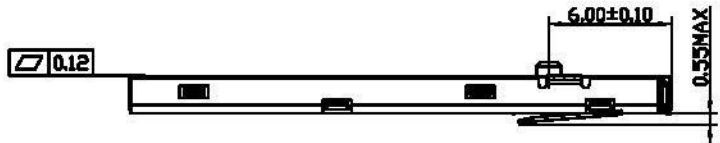


CARD DETECT SW. STATUS.



- NOTES:
1. MATERIAL:
HOUSING: LCP+30% GF., UL 94V-0 RATED, COLOR BLACK.
CONTACTS: COPPER ALLOY.
SHIELD COVER: SUS304, 0.2T.
 2. PLATING:
CONTACT AREA: HARD GOLD PLATING OVER 1.27µm(50µ")MIN, NICKEL UNDERPLATING.
SOLDERING ZONE: 3.05µm(120µ")MIN, 100% TIN, OR LEAD-FREE PLATING PER PART NUMBER DESIGNATION, OVER NICKEL UNDERPLATING.
SHIELD COVER: GOLD FLASH NICKEL UNDERPLATING.
UNDERPLATING: 1.27µm (50µ")MIN, NICKEL ALLOY.
 3. CUTTING BURR ALLOWED: 0.03mm MAX.
 4. THE DIMENSIONS MARKED WITH '■' ARE CRITICAL DIMENSIONS.
 5. COPLANARITY IS 0.10mm MAX.
 6. RoHS COMPLIANT PRODUCTS



PRODUCT NUMBER:
115A-B D A 0-R01
1 2 3 4 5

- 1.Type
B:8 Pin
- 2.Contact Plating
D:10u"Gold Plating
- 3.Stand Off
A:0mm
- 4.Peg Type
0:w/Peg
- 5.RoHS

PARTS LIST

ITEM	DESCRIPTION	QTY(PC'S)
1	HOUSING	1
2	SLIDER	1
3	MAIN CONTACT	1
4	COM CONTACT	1
5	CD CONTACT	1
6	METAL COVER	1
7	CRANK	1
8	SPRING	1

UNLESS OTHERWISE SPECIFIED TOLERANCE		
ANGLES	ANG.	±5°
	0.	±0.3
LINEAR	0.0	±0.25
	0.00	±0.20
SCALE	AS SHOWN	UNIT: mm
DRAWN	Willis	2012/08/03
CHECKED	Angel	2012/08/03
APPROVED	Ken	2012/08/03

All Connectors

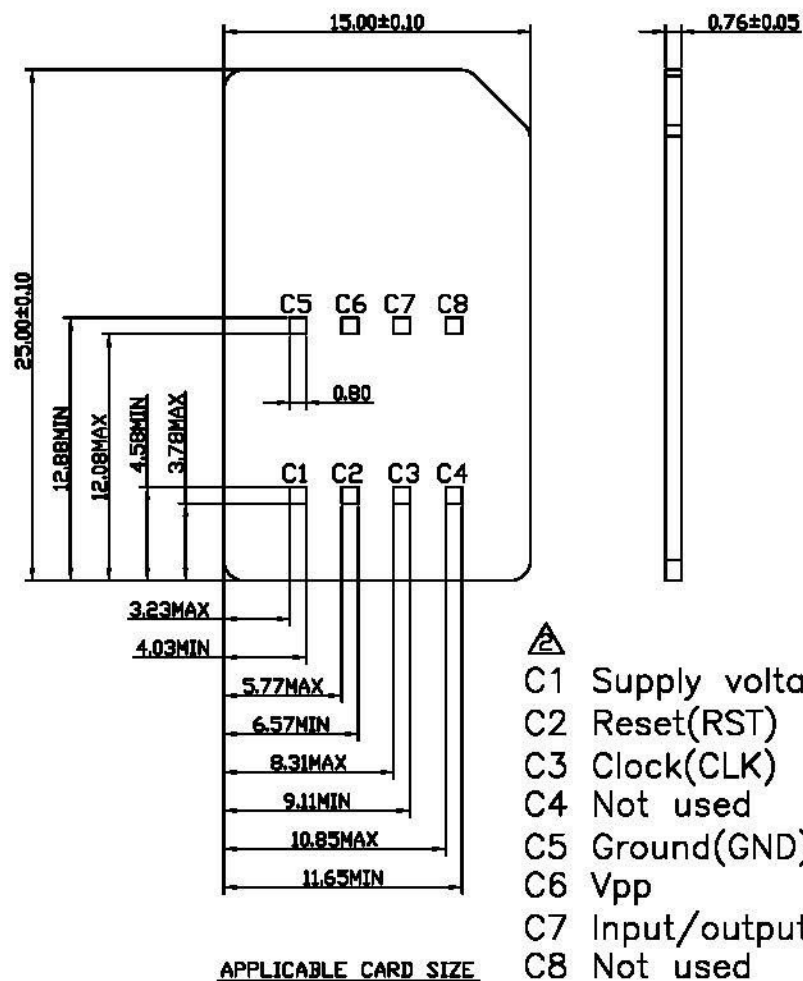
www.allconnectors.de rf@allconnectors.de
tel: +49 201 924013 fax: +49 201 924011
2024 R. Moske, Germany 2012/08/03

DRAWN NAME:
SIM Card Socket 8+2Pin Push-Push Type

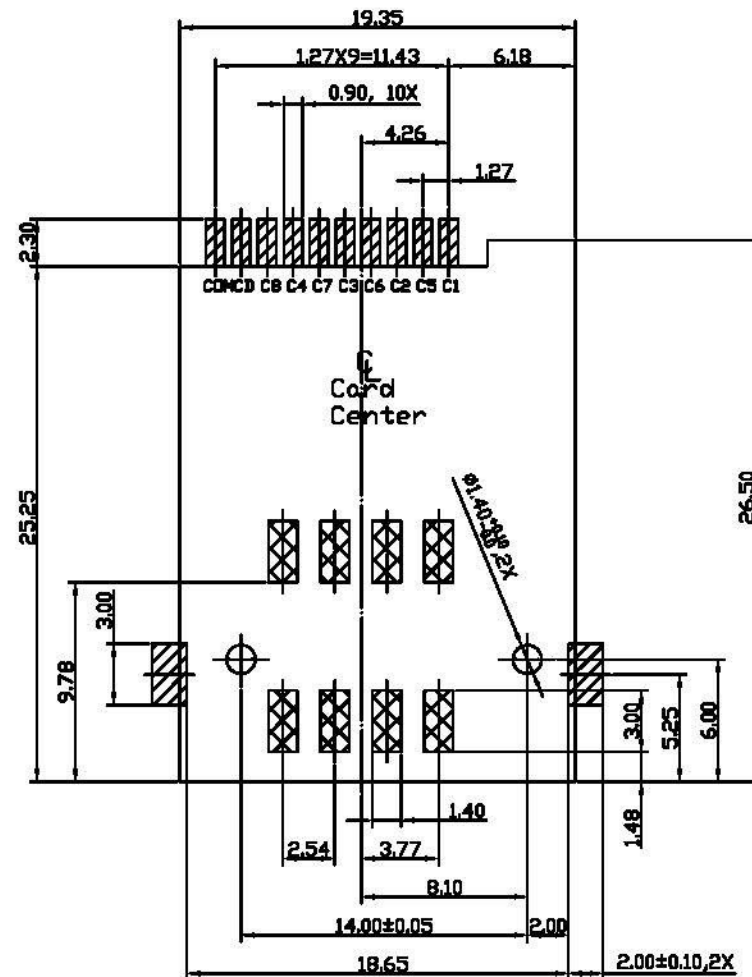
PRODUCT NO. 115A-BDA0-R01

- Revise: [Symbol]
- Revise: pin definition [Symbol]
- Revise: date code marking [Symbol]

REV.	DESCRIPTION	DATE	REV.	DESCRIPTION	DATE	SIZE	REV.	FILE NAME
1						A4	1.0	115A-BDA0-R01_B_3



- ▲ C1 Supply voltage(VCC)
- C2 Reset(RST)
- C3 Clock(CLK)
- C4 Not used
- C5 Ground(GND)
- C6 V_{pp}
- C7 Input/output(I/O)
- C8 Not used



☒ — TRACR PROHIBITION AREA

UNLESS OTHERWISE SPECIFIED TOLERANCE

ANGLES	ANG.	±5°
		±0.3
LINEAR		±0.25
		±0.20

SCALE AS SHOWN UNIT: mm

DRAWN	Willis	2012/08/03
CHECKED	Angel	2012/08/03
APPROVED	Ken	2012/08/03

All Connectors

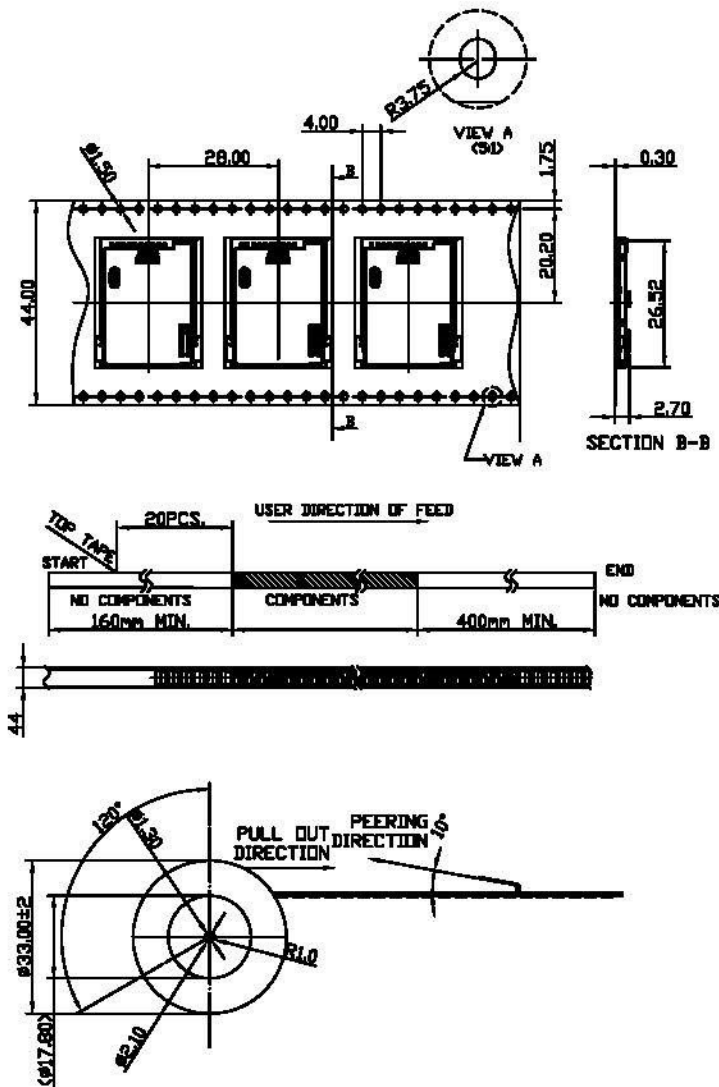
www.allconnectors.com info@allconnectors.com
 Tel: +49 201 200380 Fax: +49 201 200389
 70724 Hürstede - Germany Letztelnerstr. 23

DRAWN NAME:
SIM Card Socket 8+2Pin Push-Push Type

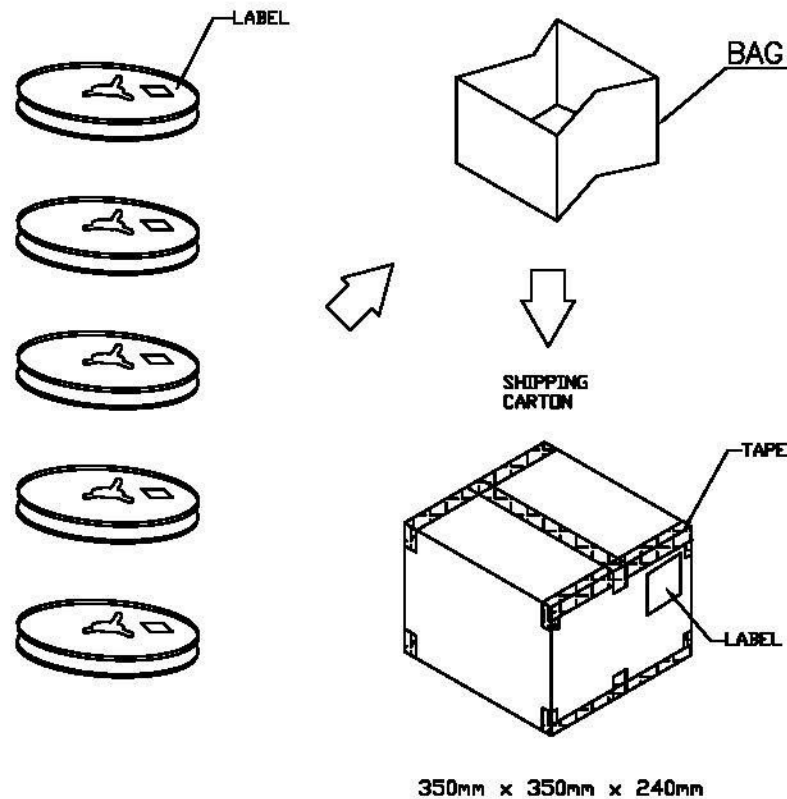
PRODUCT NO. 115A-BDA0-R01
 FILE NAME 115A-BDA0-R01_B_3

- ▲ Revise:
- ▲ Revise: pin definition
- ▲ Revise: date code marking

REV.	DESCRIPTION	DATE	REV.	DESCRIPTION	DATE	SIZE	REV.	FILE NAME
1						A4	1.0	115A-BDA0-R01_B_3



NOTE:
 1. 115A SERIES STANDARD PACKING: 500 PCS/REEL
 2. 5 REEL/SHIPPING CARTON



350mm x 350mm x 240mm

						UNLESS OTHERWISE SPECIFIED TOLERANCE			 www.allconnectors.com info@allconnectors.com Tel: 040 2110000 Fax: 040 2110004 70047 Kertek - Canary Kertekstr. 25	
						ANGLES	ANG.	±5°		
						LINEAR		0.	±0.3	
								0.0	±0.25	
								0.00	±0.20	
						SCALE	AS SHOWN	UNIT: mm		
						DRAWN	Willis	2012/08/03	DRAWN NAME:	
						2010/10/11	CHECKED	Angel	2012/08/03	SIM Card Socket 8+2Pin Push-Push Type
						2009/11/25	APPROVED	Ken	2012/08/03	PRODUCT NO. 115A-BDA0-R01
REV.	DESCRIPTION	DATE	REV.	DESCRIPTION	DATE	SIZE A4 REV. 1.0		FILE NAME	115A-BDA0-R01_D_2	
1										

- △ Revise:
- △ Revise: pin definition
- △ Revise: date code marking