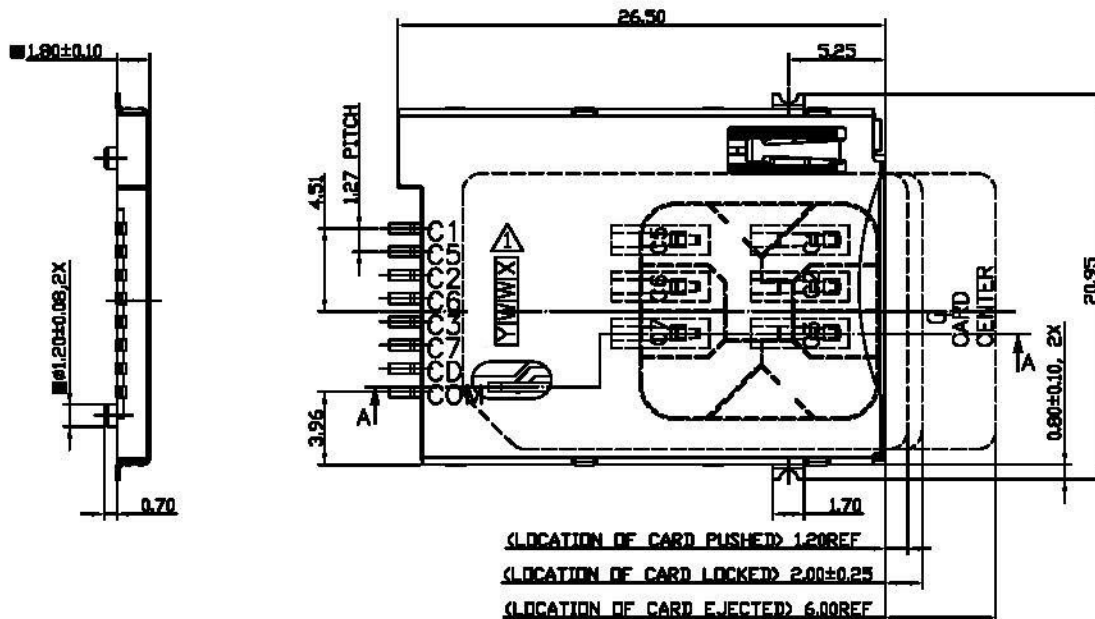


CARD DETECT SW. STATUS.



- NOTES:
1. MATERIAL:  
HOUSING: LCP+30% G.F., UL 94V-0 RATED, COLOR BLACK.  
CONTACTS: COPPER ALLOY.  
SHIELD COVER: SUS304, 0.2T.
  2. PLATING:  
CONTACT AREA: HARD GOLD PLATING OVER 1.27µm(50µ")MIN, NICKEL UNDERPLATING.  
SOLDERING ZONE: 3.05µm(120µ")MIN, 100% TIN, OR LEAD-FREE PLATING PER PART NUMBER DESIGNATION, OVER NICKEL UNDERPLATING.  
SHIELD COVER: GOLD FLASH NICKEL UNDERPLATING.  
UNDERPLATING: 1.27µm(50µ")MIN, NICKEL ALLOY.
  3. CUTTING BURR ALLOWED: 0.03mm MAX.
  4. THE DIMENSIONS MARKED WITH "■" ARE CRITICAL DIMENSIONS.
  5. COPLANARITY IS 0.10mm MAX.
  6. RoHS COMPLIANT PRODUCTS.
  7. DATE CODE MARKING:



PRODUCT NUMBER:  
115A-A D A 0-R02  
1 2 3 4 5

- 1.Type  
A:6 Pin
- 2.Contact Plating  
D:10u"Gold Plating
- 3.Stand Off  
A:0mm
- 4.Peg Type  
0:w/Peg
- 5.RoHS

PARTS LIST

ITEM	DESCRIPTION	QTY(PC'S)
1	HOUSING	1
2	SLIDER	1
3	MAIN CONTACT	1
4	COM CONTACT	1
5	CD CONTACT	1
6	METAL COVER	1
7	CRANK	1
8	SPRING	1

UNLESS OTHERWISE SPECIFIED TOLERANCE		
ANGLES	ANG.	±5°
	0.	±0.3
LINEAR	0.0	±0.25
	0.00	±0.20
SCALE	AS SHOWN	UNIT: mm
DRAWN	Willis	2012/08/03
CHECKED	Angel	2012/08/03
APPROVED	Ken	2012/08/03

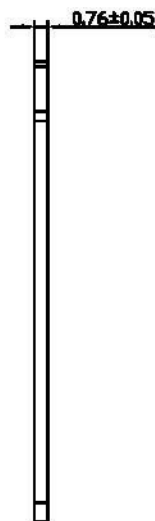
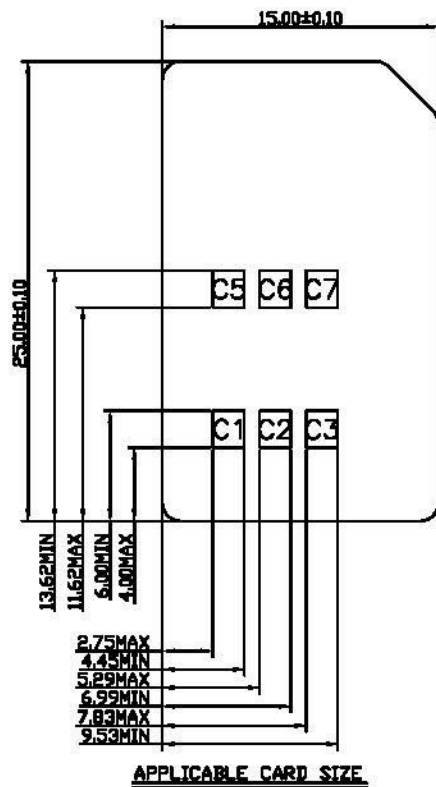
**All Connectors**

www.allconnectors.de  
Tel: +49 71 130003  
All in One - Germany

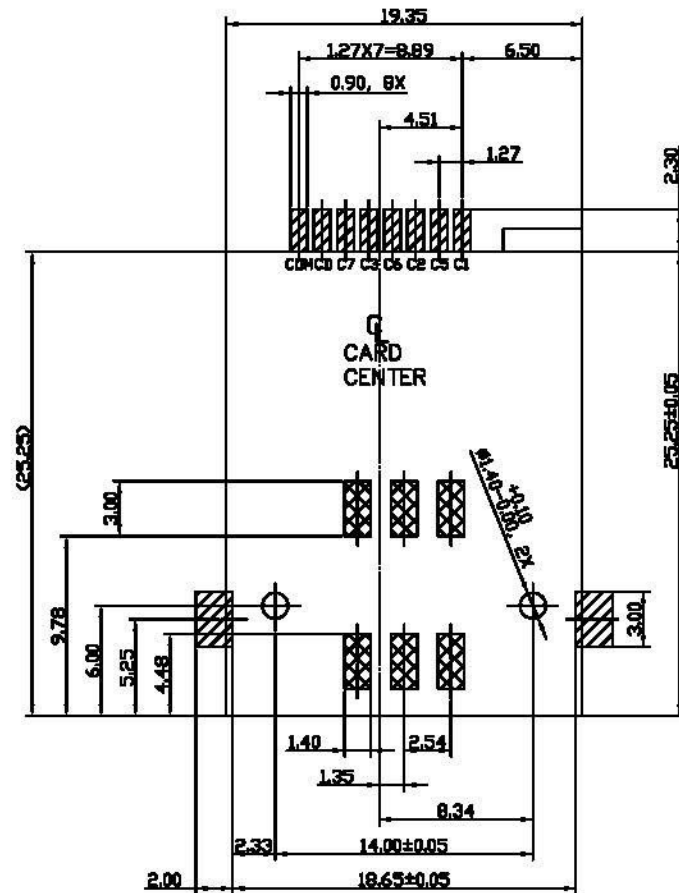
info@allconnectors.de  
Fax: +49 71 130004  
Kettnerstr. 2

- △ Revise:
- △ Revise: pin definition
- △ Revise: date code marking

REV.	DESCRIPTION	DATE	REV.	DESCRIPTION	DATE	SIZE	REV.	FILE NAME
1						A4	1.0	115A-ADA0-R02_B_3



PIN DEFINITION						
NAME	C1	C2	C3	C5	C6	C7
TYPE	Vcc	RST	CLK	GND	Vpp	I/O



**RECOMMENDED PCB LAYOUT**

— TRACER PROHIBITION AREA

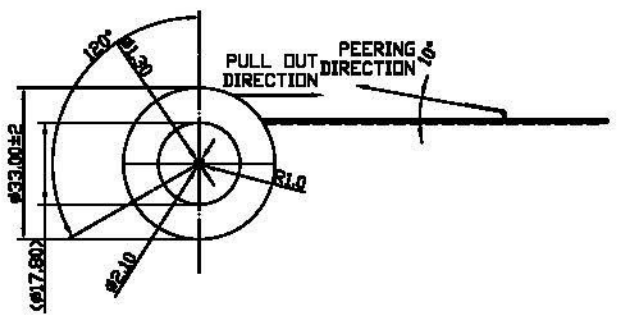
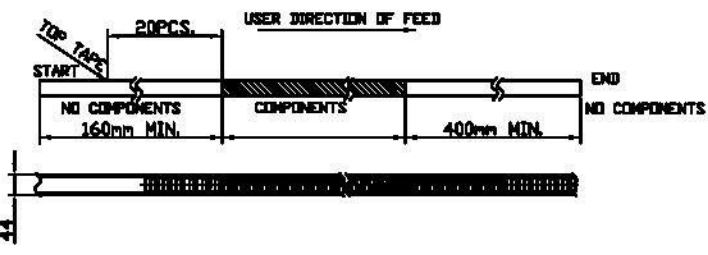
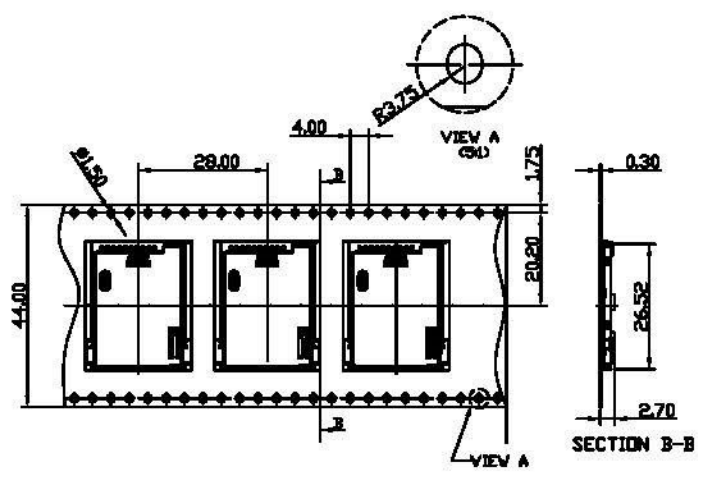
REV.	DESCRIPTION	DATE	REV.	DESCRIPTION	DATE	SIZE	REV.	FILE NAME
1			1			A4	1.0	115A-ADA0-R02_B_3

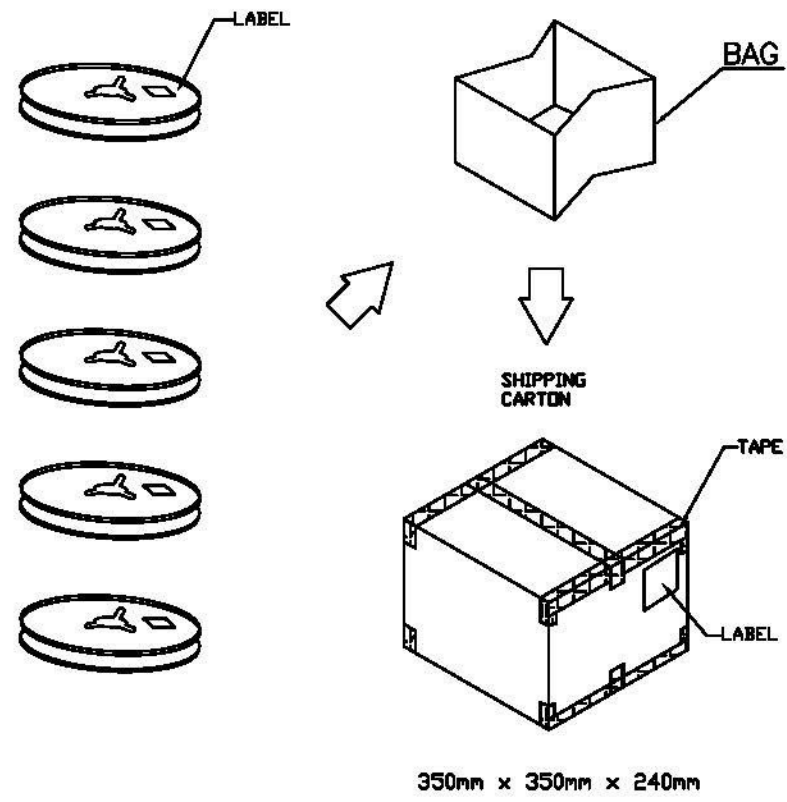
A	△ Revise:							
	△ Revise: pin definition				2010/10/11	CHECKED	Angel	2012/08/03
	△ Revise: date code marking				2009/11/25	APPROVED	Ken	2012/08/03

UNLESS OTHERWISE SPECIFIED TOLERANCE			All Connectors	
ANGLES	ANG.	±5°	www.allconnectors.com	Int'l 248-684-6343
LINEAR		±0.3	610-679-0170 (US)	RS-485-4110 (US)
		±0.25	1-800-451-7261 (Canada)	1-800-451-7261 (US)
SCALE	AS SHOWN	UNIT: mm		
DRAWN	Willis	2012/08/03	DRAWN NAME:	
CHECKED	Angel	2012/08/03	SIM Card Socket 6+2Pin Push-Push Type	
APPROVED	Ken	2012/08/03	PRODUCT NO.	115A-ADA0-R02
			FILE NAME	115A-ADA0-R02_B_3



NOTE:  
 1. 115A SERIES STANDARD PACKING: 500 PCS/REEL  
 2. 5 REEL/SHIPPING CARTON



350mm x 350mm x 240mm

REV.	DESCRIPTION	DATE	REV.	DESCRIPTION	DATE	SIZE	REV.	FILE NAME
1			1			A4	1.0	115A-ADA0-R02_D_2
2			2					
3			3					
4			4					
5			5					
6			6					
7			7					
8			8					
9			9					
10			10					

UNLESS OTHERWISE SPECIFIED TOLERANCE			All Connectors	
ANGLES	ANG.	±5°	www.allconnectors.com	info@allconnectors.com
LINEAR	0.	±0.3	TEL: 0049 71 70941	Fax: 0049 71 70949
	0.00	±0.20	© 2004 All Connectors - Germany	
SCALE	AS SHOWN	UNIT: mm	Kettelerstr. 25	
DRAWN	Willis	2012/08/03	DRAWN NAME:	
CHECKED	Angel	2012/08/03	SIM Card Socket 6+2Pin Push-Push Type	
APPROVED	Ken	2012/08/03	PRODUCT NO.	115A-ADA0-R02
			FILE NAME	115A-ADA0-R02_D_2

- △ Revise:
- △ Revise: pin definition
- △ Revise: date code marking

2010/10/11 CHECKED  
 2009/11/25 APPROVED