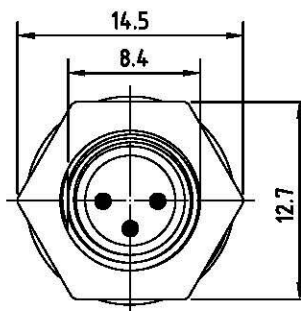
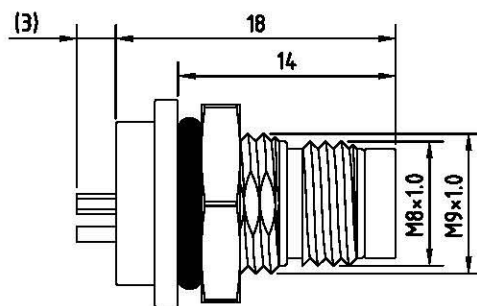


Recommended
Panel cut-out

REV.	Description	Date



Specification of connector

Locking system : screw M8
 Termination : solder
 Shell protection : IP68
 Contact resistance : $\leq 10\text{m}\Omega$
 Insulation resistance : $>10\text{M}\Omega$

RoHS
 TOLERANCE $X\pm 0.5$. $X\pm 0.3$
 UL-Recognized file No.E359387

CONTACT ARRANGEMENT FRONT VIEW (MALE)	3P	4P
Rated voltage	125V	
Rated current	5A	

5	Nut	Brass	Nickel plated
4	O ring	Rubber	
3	Body	Brass	Nickel plated
2	Pin	Brass	Gold plated
1	Housing	PA	UL94V-0
Item	Description	Material	Treat & Remark

 www.allconnectors.de Tel.: 0049 711 7009503 70794 Filderstadt - Germany		DATE		2019/11/11	PART NO.	SP209F-UL-XP
		DWN		GINA	REV.	0
		CHK				
ITEM	Sensor Connector M8			UNIT	MM	

info@allconnectors.de
 Fax: 0049 711 7009504
 Kettnerstr. 25