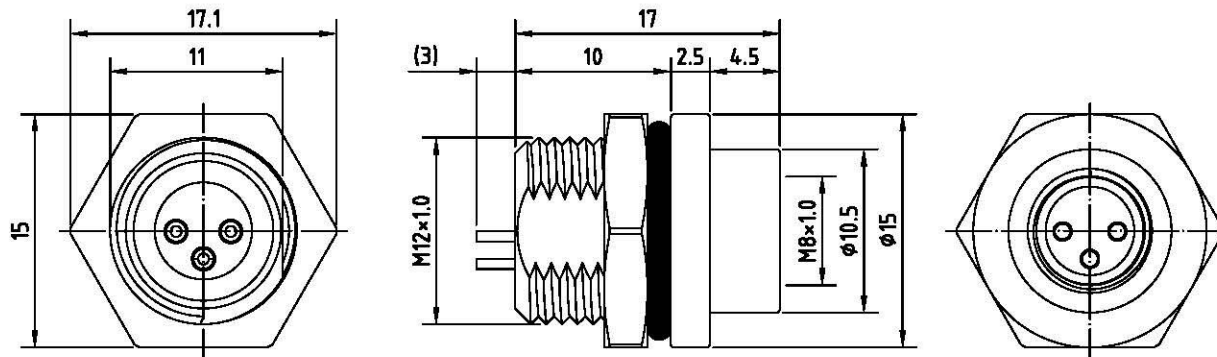


Recommended
Panel cut-out

REV.	Description	Date

Specification of connector

Locking system : screw M8
 Termination : solder
 Shell protection : IP68
 Contact resistance : $\leq 10\text{m}\Omega$
 Insulation resistance : $>10\text{M}\Omega$



RoHS
 TOLERANCE X \pm 0.5 .X \pm 0.3
 UL-Recognized file No.E359387

CONTACT ARRANGEMENT FRONT VIEW (FEMALE)	3P	4P
Rated voltage	125V	
Rated current	5A	

5	Nut	Brass	Nickel plated
4	O ring	Rubber	
3	Body	Brass	Nickel plated
2	Pin	Brass	Gold plated
1	Housing	PA	UL94V-0
Item	Description	Material	Treat & Remark

Allconnectors

www.allconnectors.de
 Tel.: 0049 711 7009503
 70794 Filderstadt - Germany

info@allconnectors.de
 Fax: 0049 711 7009504
 Kettnerstr. 25

DATE	2019/11/11	PART NO.	SP205M1-UL-XP
DWN	GINA	REV.	0
CHK			
UNIT	MM		

ITEM	Sensor Connector M8
------	---------------------