

REV.	Description	Date

Specification of connector

General Characteristics

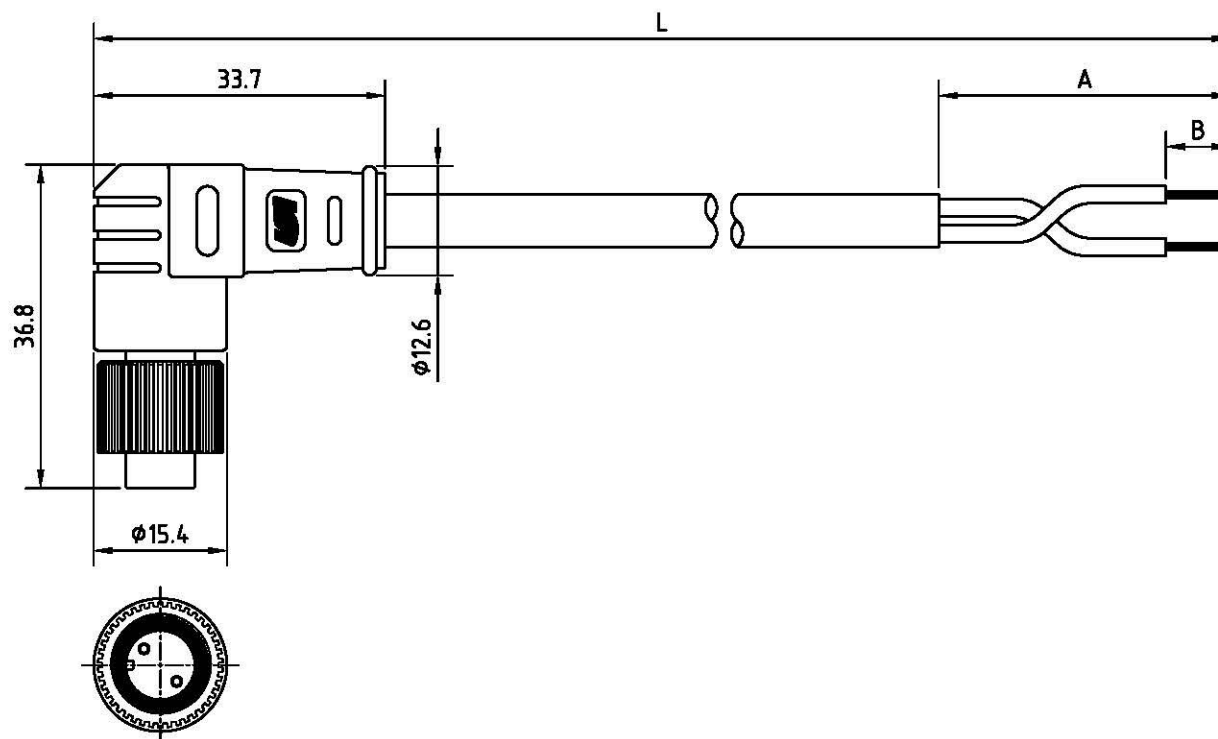
Locking system : screw M12
 Termination : solder
 Shell protection : IP68
 Contact resistance : $\leq 10\text{m}\Omega$
 Insulation resistance : $\geq 10\text{M}\Omega$

Materials

Socket contact : brass
 Contact plating : gold
 Female insert : PA
 Ring nut : chromium plated
 O-ring : rubber

Specification of cable

Material Jacket	PVC	PUR



RoHS
 UL-Recognized file No.E359387

CONTACT ARRANGEMENT FRONT VIEW (FEMALE)	2P	3P	4P	5P
Rated voltage	250V			
Rated current	5A			

Allconnectors
www.allconnectors.de
 Tel.: 0049 711 7009503
 70794 Filderstadt - Germany

info@allconnectors.de
 Fax: 0049 711 7009504
 Kettnerstr. 25

DATE	2016/10/7	PART NO.	D231M-1F-UC-XP
DWN	GINA	REV.	0
CHK			
UNIT	MM		

ITEM	Sensor Connector M12
------	----------------------