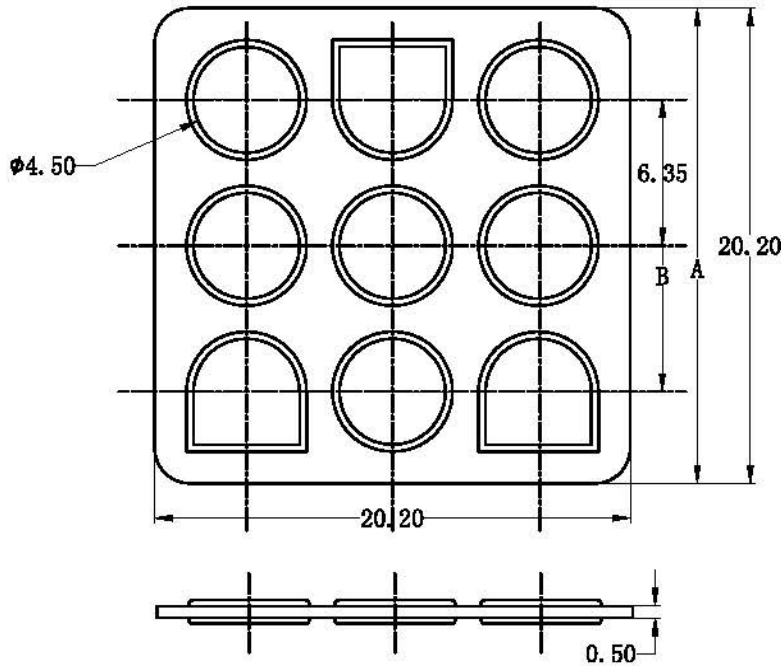
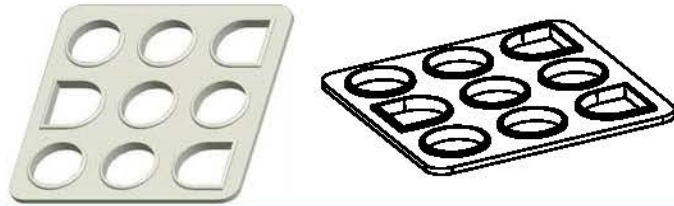


6.35mm(.250") Wire To Wire And Wire To Board Connector



SPECIFICATIONS:

- 1.Product Surface Should Be Smooth, Bright And Clean, No Flash, Bubble, Crack, Different Color Phenomena.
- 2.The Product Is Shallow Blue Color.



Ordering Information And Dimensions

Part NO.	Dimensions		
	Circuits	Dim:A	Dim:B
PL635IN-3x2	6	13.85	6.35
PL635IN-3x3	9	20.20	12.70
PL635IN-3x4	12	26.55	19.05
PL635IN-3x5	15	32.90	25.20



www.allconnectors.de
Tel.: 0049 711 7009503
70754 Filzstadt - Germany

info@allconnectors.de
Fax: 0049 711 7009501
Kettnerstr. 25