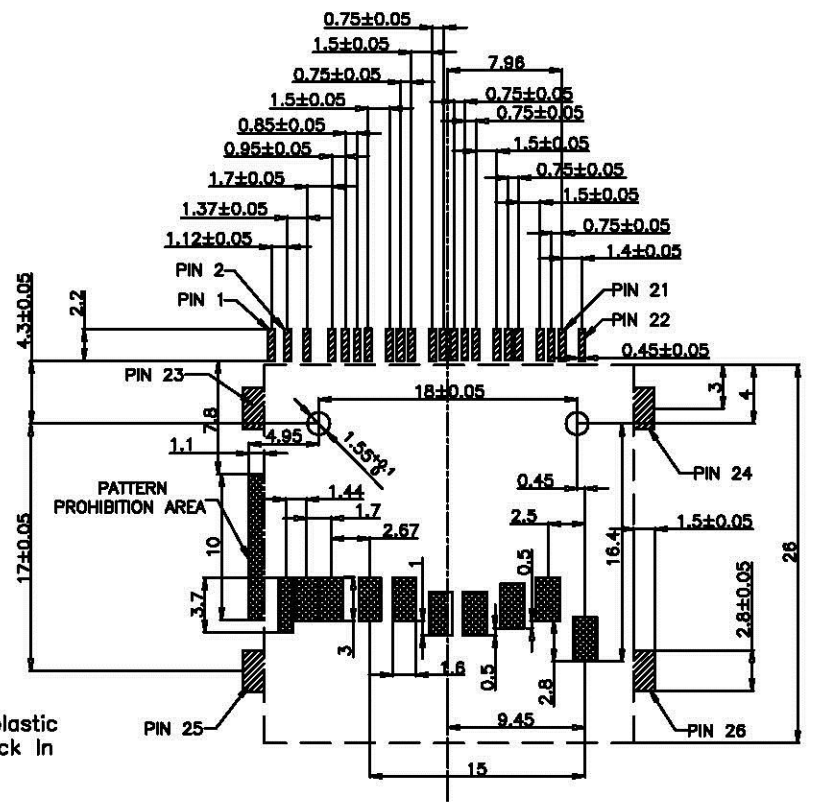
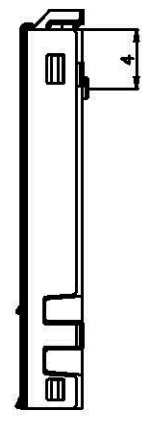
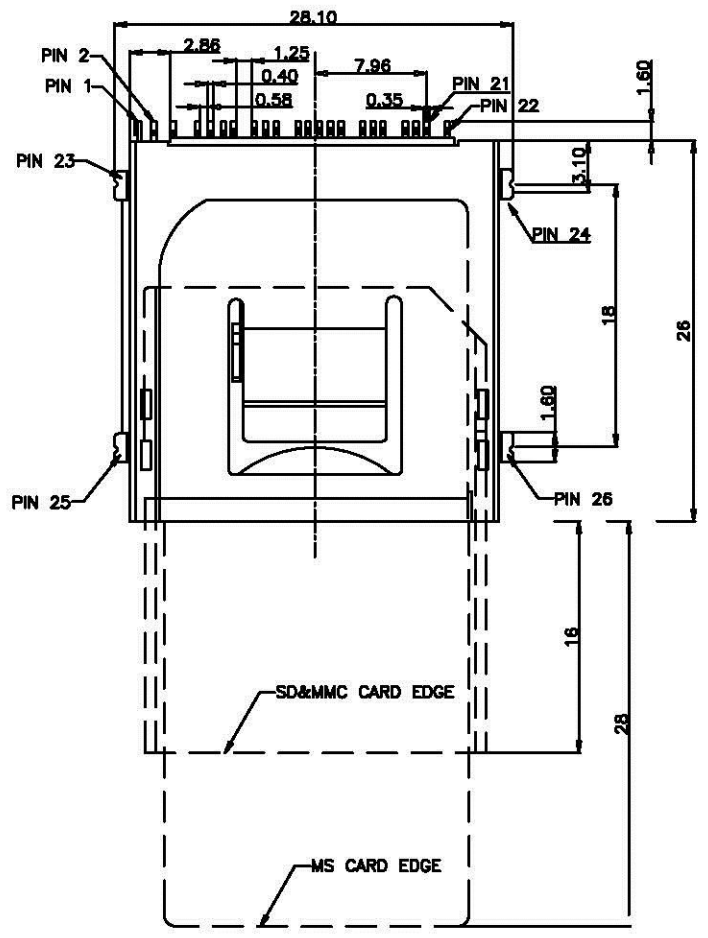


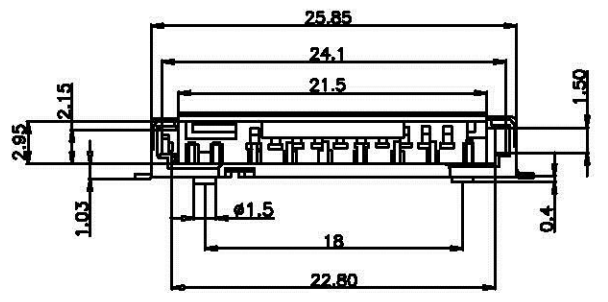
REV.	DATE	ECN NO.	MODIFICATION	APPROVER
A	2009/08/10	/	NEW	Vicky



PCB LAYOUT

NOTES
 Materials
 Housing: Engineering Thermoplastic LCP UL94V-0 Black In
 Colour:
 Contact: Copper Alloy
 Cover: Copper Alloy
 Finish
 Contact area: Gold Over Nickel
 Solder Area: Tin Over Nickel
 Performance Characteristics
 Rating Current: 0.5A AC min;
 Rating voltage: 500V AC min;
 Insulation resistance: 1000MΩ, AC 500V DC min;
 Contact Resistance: 100mΩ max
 Operating temperature: -25°C ~ +85°C;

8	RS-MS	16	Reservevec-MS	
7	VSS-MS	15	INS-MS	23-26 CD GND-SD
6	VSS-SD	14	VSS-SD	22 DAT2-SD
5	WP-GND-SD	13	Reservevec-MS	21 VSS-MS
4	DAT0-SD	12	VDD-SD	20 CD/AR3-SD
3	DAT1-SD	11	SDIO-MS	19 VCC-MS
2	WP-SD	10	VCC-MS	18 SCLK-MS
1	CD-SD	9	CLK-SD	17 CMD-SD
PIN	Description	PIN	Description	PIN



GENERAL TOLERANCE		UNITS	NAME:	卡座		
SELECT	TOL	1 2 3	PART NO:	TH01A-08301		
ON.			APPD:	Vicky		
X.XXX		00.00 00.10	CHKD:	Emilia		
X.XX		00.10 00.50	DR:	Hindy		
X.X		00.50 00.90				
X		00.90 01.00				
ANGLE						
FINISH			TITLE:		三合一卡座 板上型	
QTY			DWG NO.		ATOM-A00036	
			SCALE		SHEET	
			1:1		1/1	
			REV		A	

