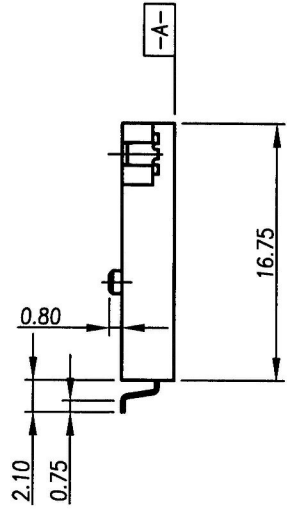


REV	MODIFICATION	DATE	DRAW
B	EN-04-0312	03/22/04"	JIM LIU
C	EN-04-0807	08/12/04"	JIM LIU

Ordering Information:
SDFMF-109XXBOX0

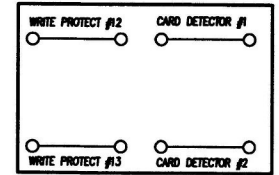
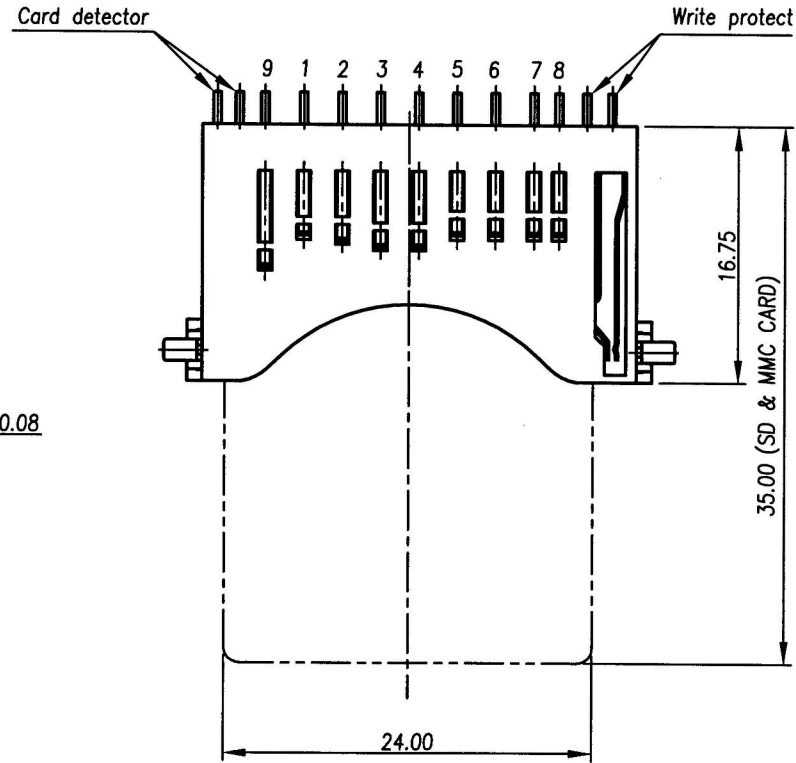
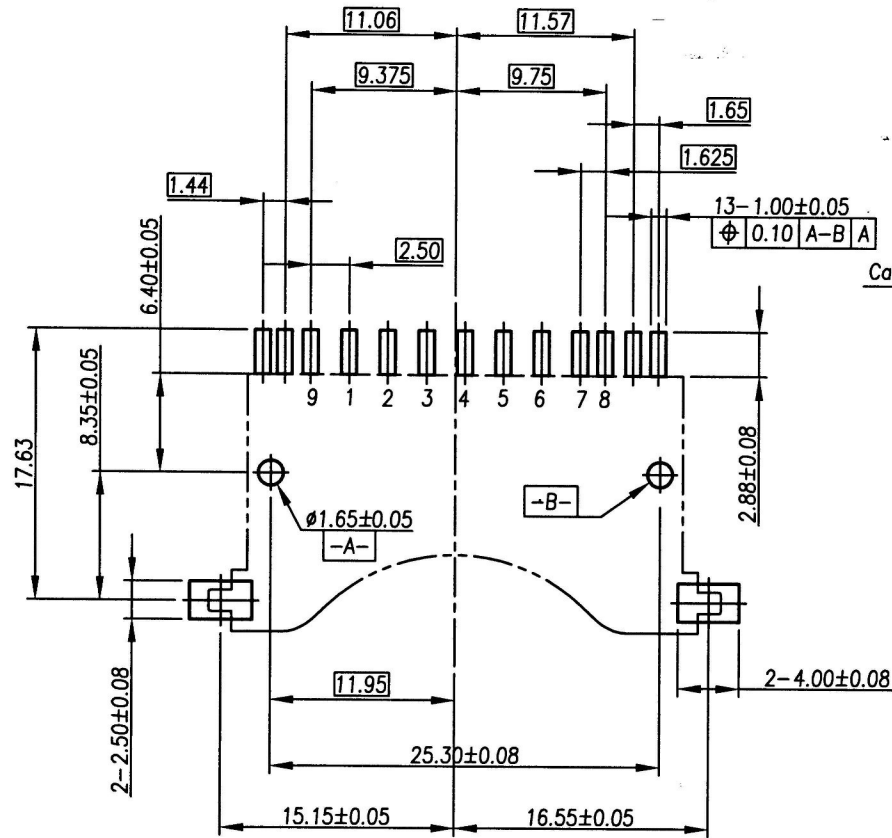
Plating Option:
0 : Tin-Lead 90/10
T : Lead Free.

Contact Area Plating:
05--05u" Gold Plating
10--10u" Gold Plating
15--15u" Gold Plating

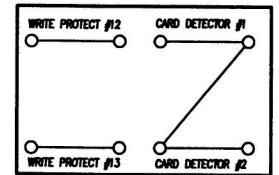


DIMENSION IN mm [Inch]		PROD. SPEC. SP0058	 www.allconnectors.de info@allconnectors.de Tel.: 0049 711 7009503 Fax: 0049 711 7009504 70724 Filderstadt - Germany Kettmarstr. 25	
TOLERANCE UNLESS OTHERWISE SPECIFIED		PKG. SPEC. PPP-SDF-001	TITLE	CUSTOMER DRAWING
.X±0.30	X.*±	APPROVE <i>JW</i>	SECURE DIGITAL MEMORY CARD REVERSAL CONNECTOR TYPE F	
.XX±0.20	.X.*±	CHECK 劉志明	FILE NO. KFP-058	DWG NO. SDFMF-109XXBOX0
.XXX±0.10	.XX.*±	DRAW 劉志明	SIZE A4	PROJ. SHEET 1 / 2
			SCALE 2:1	REV C

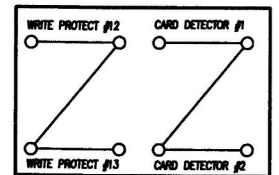
REV	MODIFICATION	DATE	DRAW
B	EN-04-0312	03-22-04"	JIM LIU
C	EN-04-0807	08/12/04"	JIM LIU



WITHOUT CARD



CARD INSERTED
WRITE PROTECT : LOCK



CARD INSERTED
WRITE PROTECT : UNLOCK

PC BOARD LAYOUT COMPONENT SIDE

Ordering Information:

SDFMF-109XXBOX0

Contact Area Plating:

- 05--05u" Gold Plating
- 10--10u" Gold Plating
- 15--15u" Gold Plating

Plating Option:
0 : Tin-Lead 90/10
T : Lead Free.

PIN	NAME	DIMENSION IN mm [Inch]	PROD. SPEC.
1	CD/DAT3	TOLERANCE UNLESS OTHERWISE SPECIFIED	SP0058
2	CMD/DI		PKG. SPEC. PPP-SDF-001
3	VSS1	.XX±0.20	APPROVE <i>[Signature]</i> 08/13/04
4	VDD		
5	CLK/SCLK	.XXX±0.10	CHECK 劉志明
6	VSS2		
7	DAT0	DRAW 劉志明	
8	DAT1		
9	DAT2		

Allconnectors
www.allconnectors.de
Tel.: 0049 711 7095503
70794 Filzschachtel - Germany
info@allconnectors.de
Fax: 0049 711 7095504
Kettelerstr. 25

TITLE	SECURE DIGITAL MEMORY CARD REVERSAL CONNECTOR TYPE F	CUSTOMER DRAWING
FILE NO.	KFP-058	DWG NO. SDFMF-109XXBOX0
SIZE	A4	PROJ. SHEET 2 / 2
SCALE	2:1	REV C