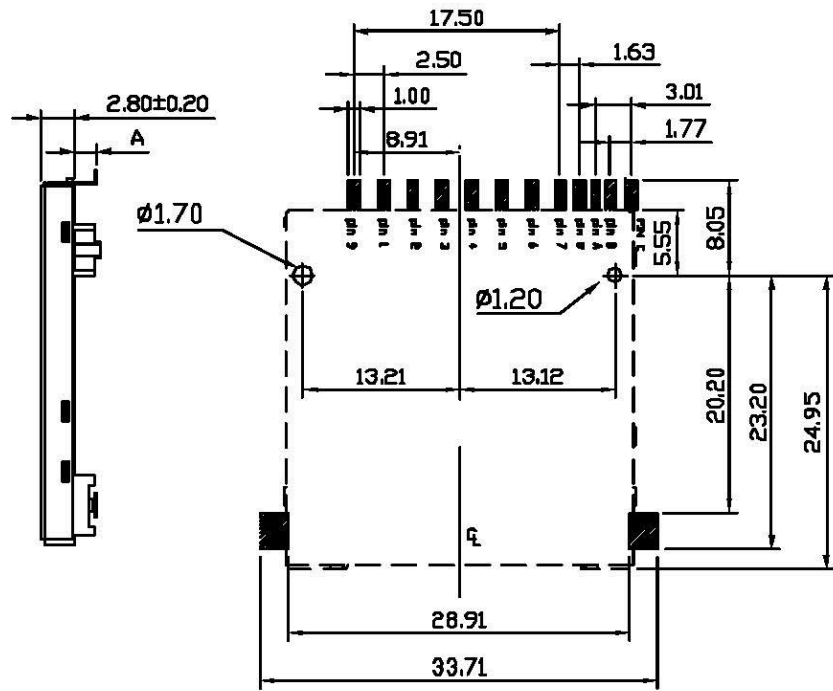
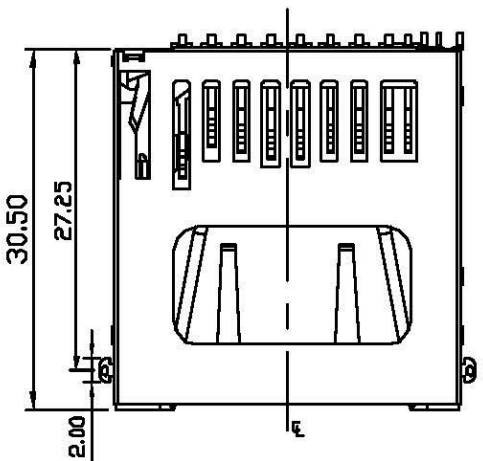


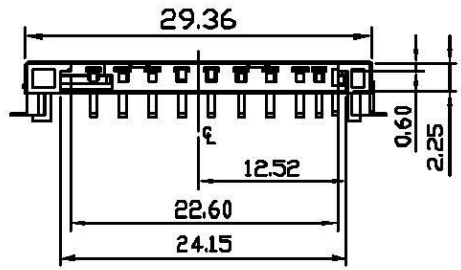
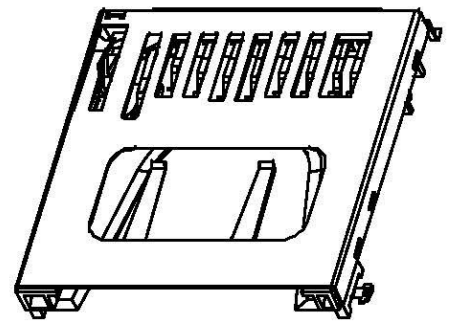
PART NO	dimension
	<b>A</b>
SDC-W26AP-09	<b>0.10</b>
SDC-W26AP18-09	<b>1.80</b>
SDC-W26AP24-09	<b>2.40</b>

1. MATERIAL :
- HOUSING : GLASS- FILLED THERMO-PLASTIC,ULB4V-0
  - CONTACT : COPPER ALLOY
  - COVER : STAINLESS STEEL
  - SPRING : STAINLESS STEEL

2. SPECIFICATION
- VOLTAGE RATING : 100VAC RMS MAX
  - CURRENT RATING : 0.5A MAX
  - OPERATING TEMPERATURE : -25°C ~ +80°C
  - INSULATION RESISTANCE: 1000 MΩ Min
  - CONTACT RESISTANCE: 100 mΩ Max



**PCB LAYOUT**  
General Tolerances ±0.05



SDC-W26APxx-09-LF  
LEADFREE

**RoHS Compliant**

**All connectors**

www.allconnectors.de  
Tel: +49 18 722 706524  
70794 Filzschl. Germany

Info@allconnectors.de  
Fax: +49 18 722 706521  
E-Mail: info@all.de

PART NO. SDC-W26APxx-09		CHECKED BY CY		TOLERANCES ARE		DESCRIPTION: SD CONNECTOR PUSH REVERSE SMT TYPE	
DWG NO. SDC-W26APxx-09		DRAWING BY		X ± 0.2 XX ± XXX ± AWG		AREA	
FILE NO.		PROJECTION				REVISIONS	
UNIT / mm	SCALE 1:1					HK	
						DATE	