

| No. | Name | QTY | Material |
|-----|-----------------------------------|-----|------------------------------------|
| 11 | Half Lock | 1 | Stainless Steel |
| 10 | Wing Ear | 2 | Copper Alloy, Selective Au Plating |
| 9 | Shell | 1 | Stainless Steel |
| 8 | Slider Lock Pin | 1 | Stainless Steel |
| 7 | Spring | 1 | SWP |
| 6 | Detect Switch Contact | 1 | Copper Alloy, Selective Au Plating |
| 5 | Protect Switch Contact | 1 | Copper Alloy, Selective Au Plating |
| 4 | Protect and Detect Switch Contact | 1 | Copper Alloy, Selective Au Plating |
| 3 | Contact | 9 | Copper Alloy, Selective Au Plating |
| 2 | Ejector | 1 | Thermoplastic UL 94V-0, Black |
| 1 | Housing | 1 | Thermoplastic UL 94V-0, Black |

Allconnectors

www.allconnectors.de
TEL: 0049 711 7005503
70799 Hildersried, Germany

info@allconnectors.de
FAX: 0049 711 7005501
Kettnerstr. 22

PART NO. SDC-W24PA-09

DWG NO. SDC-W24PA-09

FILE NO.

UNIT / mm

SCALE 1:1

CHECKED BY CY

DRAWING BY

PROJECTION



TOLERANCES ARE

.X ± 0.2
.XX ± 0.1
.XXX ±
AWG

DESCRIPTION:

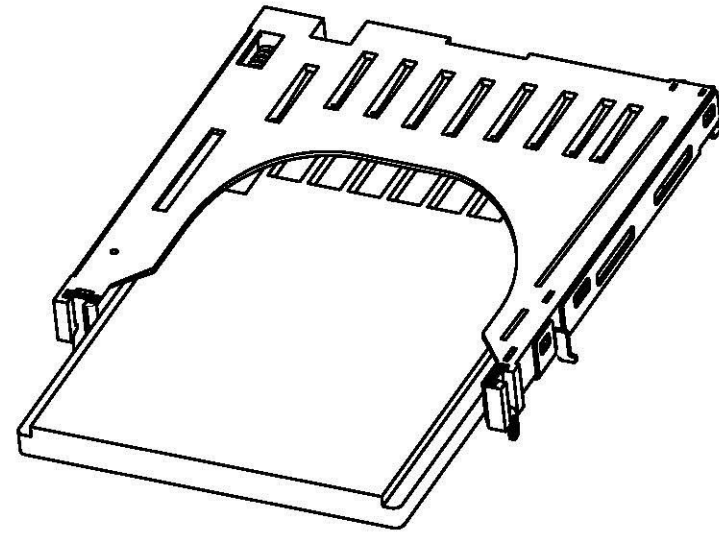
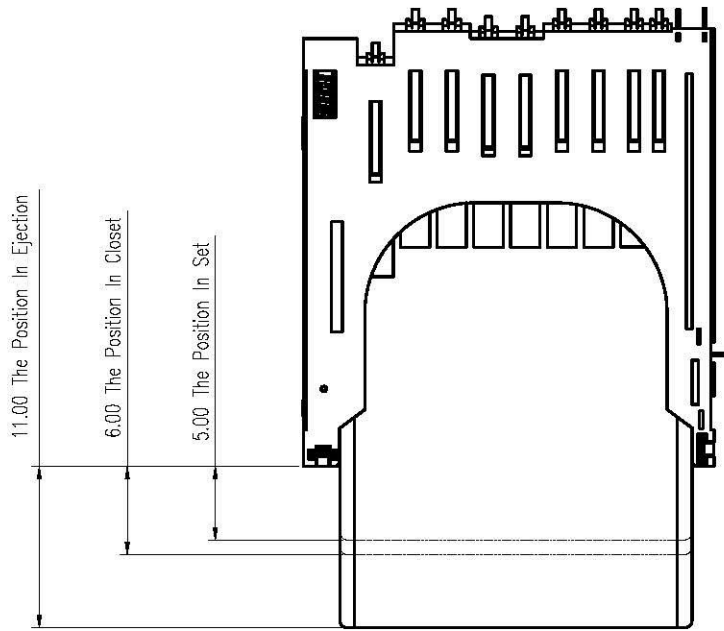
SD Memory Card Conn.
Push-Push Reverse (0.3H) Type

AREA

REVISIONS

HK

DATE



Notes:

1.Contact and Switch Coplanarity to be 0.12mm Max.

2.Opening/Close of Each Switch:

| | Protect Contact | | Detect Contact |
|---------------------|------------------------|-----------------------|----------------|
| | Write Protect Position | Write Enable Position | |
| Card Uninsertion | Open | Open | Open |
| Card Half Insertion | Close | Close | Open |
| Card Insertion | Open | Close | Close |

3.When Delivering The Push / Push Mechanism is in the State of The Unlock. (Card Dashing Out Position)

Allconnectors

www.allconnectors.de
Tel.: 0049 741 2005503
70754 Filberstadt - Germany

info@allconnectors.de
Fax: 0049 741 2005504
Rillenkraft 25

PART NO. SDC-W24PA-09

DWG NO. SDC-W24PA-09

FILE NO.

UNIT / mm

SCALE 1:1

CHECKED BY CY

DRAWING BY

PROJECTION



TOLERANCES ARE

.X ± 0.2
.XX ± 0.1
.XXX ±
AWG

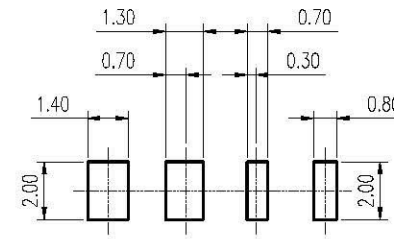
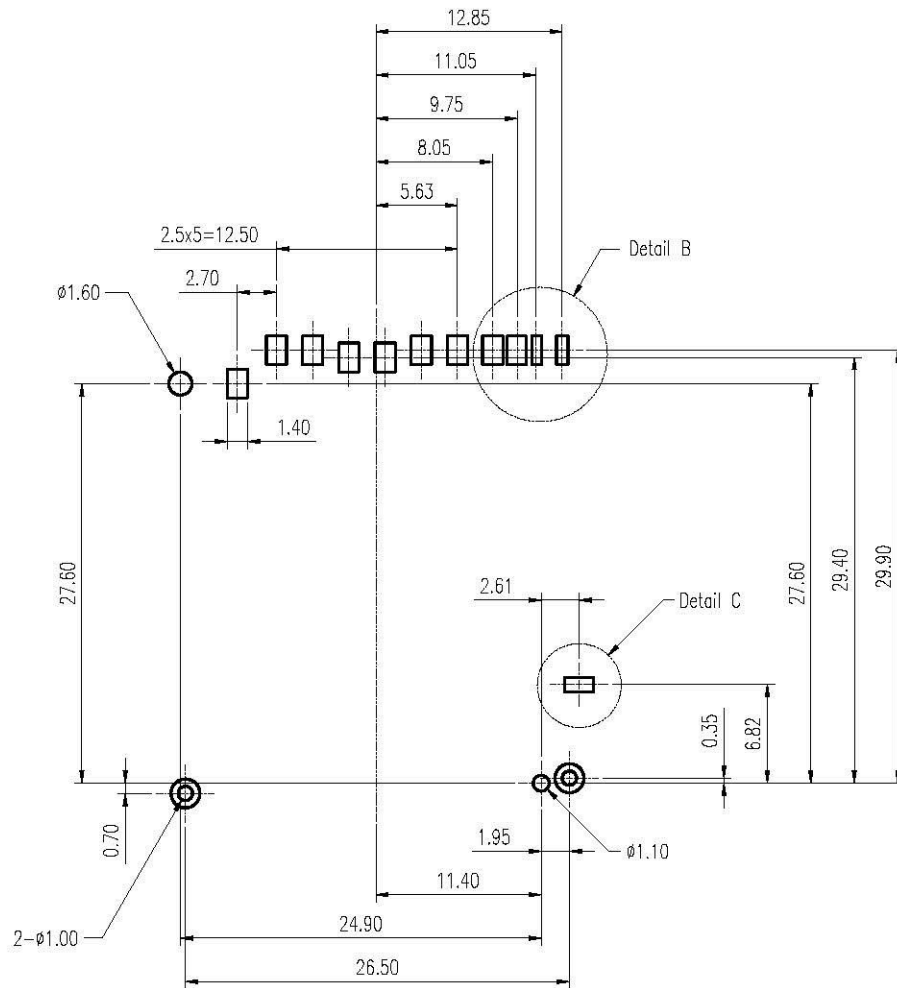
DESCRIPTION:

AREA

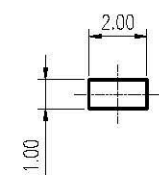
REVISIONS

HK

DATE



Detail B
Scale 4:1



Detail C
Scale 4:1

Recommended P.C.B. Layout
Layout Tolerance = ± 0.05 mm

SDC-W24PA-09-LF
LEADFREE
RoHS Compliant

All Connectors

www.allconnectors.de
Tel: 0049 711 7094304
70769 Filderstadt, Germany

info@allconnectors.de
Fax: 0049 711 7094304
Kulmbacher Str. 22

PART NO. SDC-W24PA-09

DWG NO. SDC-W24PA-09

FILE NO.

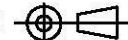
UNIT / mm

SCALE 1:1

CHECKED BY CY

DRAWING BY

PROJECTION



TOLERANCES ARE

.X ± 0.2
.XX ± 0.1
.XXX \pm
AWG

DESCRIPTION:

AREA

SD Memory Card Conn.
Push-Push Reverse (0.3H) Type

REVISIONS

HK

DATE