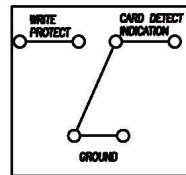
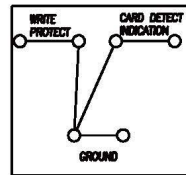


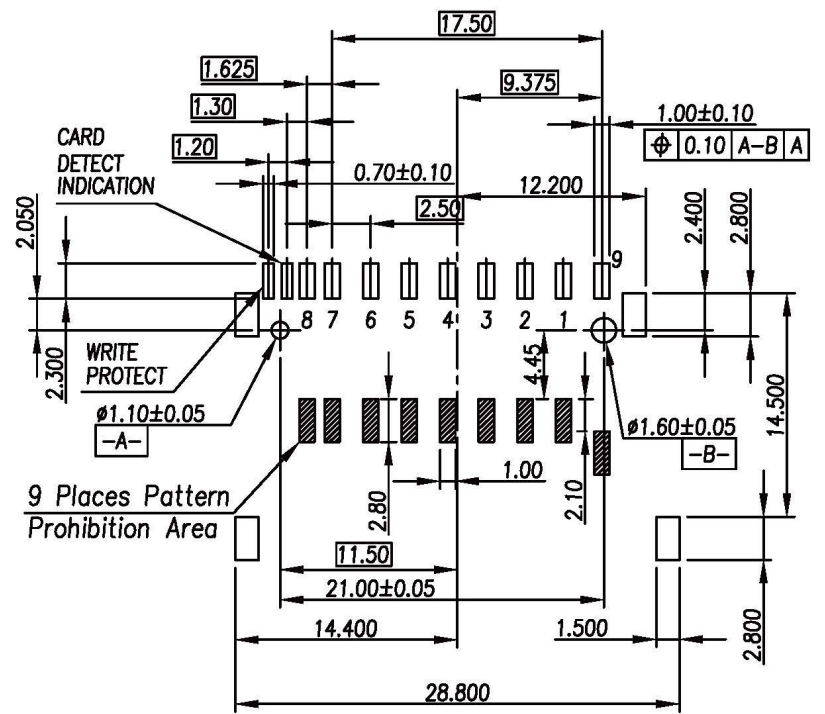
WITHOUT CARD



CARD INSERTED  
WRITE PROTECT : LOCK

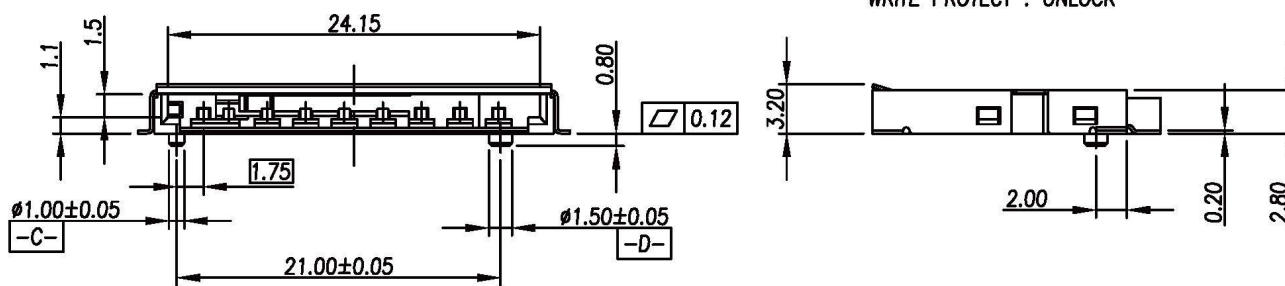


CARD INSERTED  
WRITE PROTECT : UNLOCK



PC BOARD LAYOUT COMPONENT SIDE

SD CARD PIN ASSIGN	
PIN	NAME
1	CD/DAT3
2	CMD/DI
3	VSS1
4	VDD
5	CLK/SCLK
6	VSS2
7	DAT0
8	DAT1
9	DAT2



**RoHS Compliant**

**All Connectors**

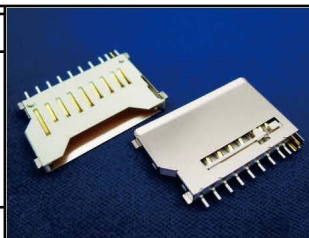
www.allconnectors.de info@allconnectors.de  
Tel.: 0049 711 7009503 Fax: 0049 711 7009504  
70794 Filderstadt - Germany Kettenerstr. 25

**DRAWING BY** CY  
**CHECKED BY** GENIUS

**UNIT/ mm** **SCALE 1 : 1**

**DATE** **SIZE A4** **P PROJECTION**

**TOLERANCES ARE**  
X ±  
.X ± 0.30  
.XX ± 0.20  
.XXX ± 0.10  
ANG ±



**ORDER INFORMATION**

**SDC-W21X1-09-LF**

SERIES 90°SMT SHORT BODY POST 21.00mm 09WAY LEADFREE

**DESCRIPTION: SECURE DIGITAL MEMORY CARD CONNECTOR SHORT TYPE TYPE C (DIM A=0mm)**