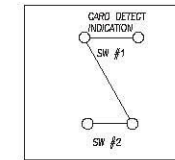


WITHOUT CARD

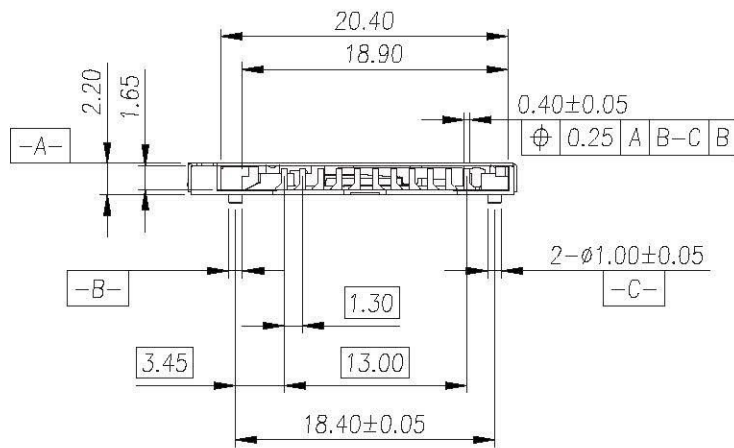


CARD INSERTED

Ordering Information:

MSDC-W18PC-11-LF
LEADFREE

RoHS Compliant



Allconnectors

www.allconnectors.de
Tel: 0049 711 7009503
70754 Filderstadt - Germany

info@allconnectors.de
Fax: 0049 711 7009504
Kettenstr. 25

PART NO. MSDC-W18PC-11

DWG NO. MSDC-W18PC-11

FILE NO.

UNIT / mm

SCALE 1:1

CHECKED BY CY

DRAWING BY

PROJECTION



TOLERANCES ARE

.X ± 0.2
.XX ± 0.1
.XXX ±
AWG

DESCRIPTION:

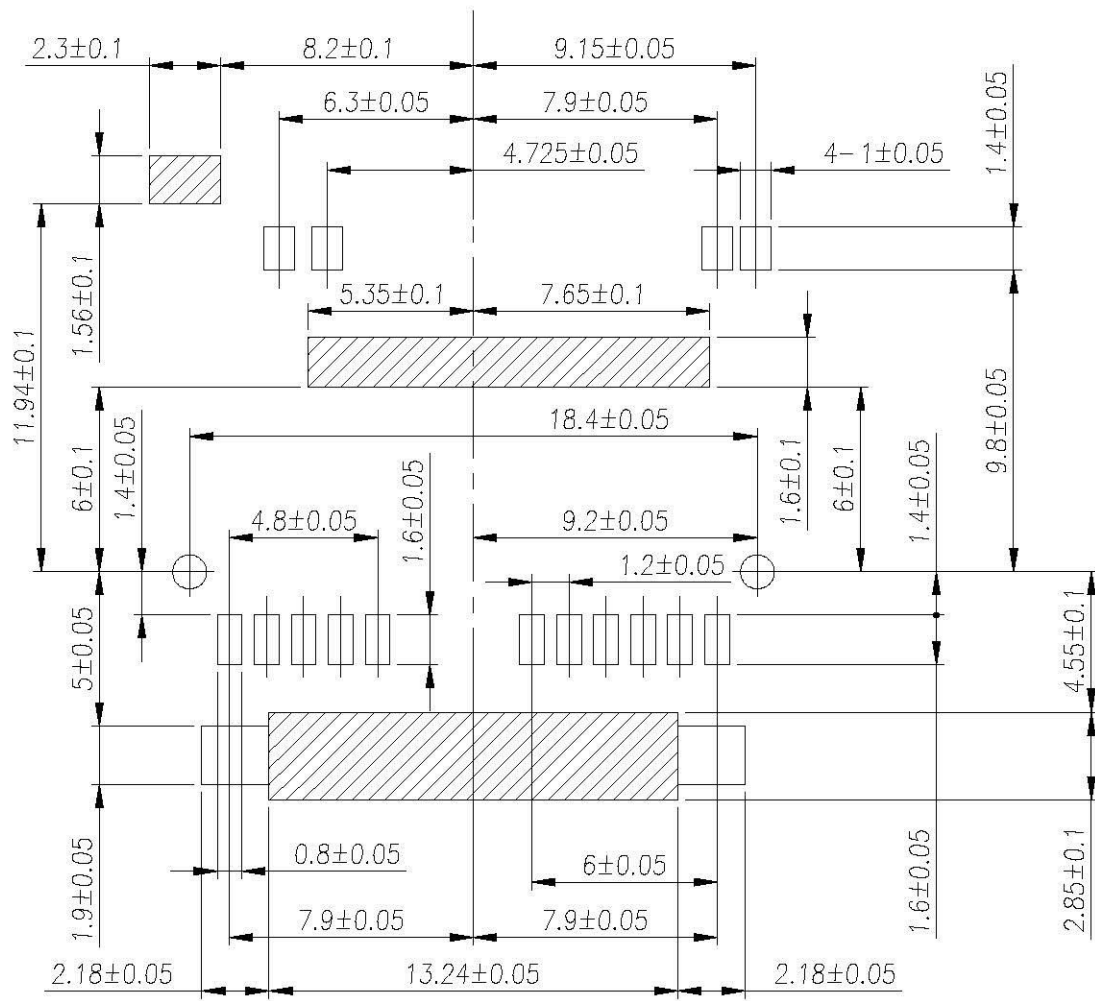
MINI SECURE DIGITAL MEMORY CARD
PUSH-PUSH CONNECTOR TYPE A

AREA

REVISIONS

HK

DATE



NOTES:

1.  : PATTERN PROHIBITION AREA.

P.C.B Layout(TOP VIEW)

Allconnectors

www.allconnectors.de
 info@allconnectors.de
 Tel.: 0049 711 7009503
 70794 Filderstadt - Germany
 Fax: 0049 711 7009504
 Kellenersstr. 25

PART NO. MSDC-W18PC-11

DWG NO. MSDC-W18PC-11

CHECKED BY CY

DRAWING BY

TOLERANCES ARE

.X ± 0.2
 .XX ± 0.1
 .XXX ±

DESCRIPTION:

UNIT / mm

SCALE 1:1

PROJECTION 

AWG

AREA

REVISIONS

HK

DATE