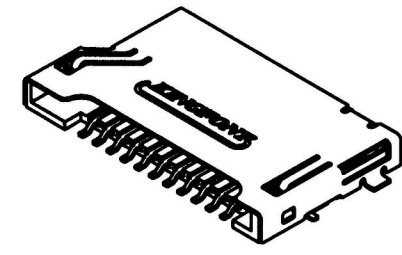
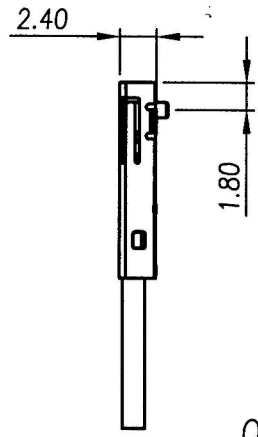
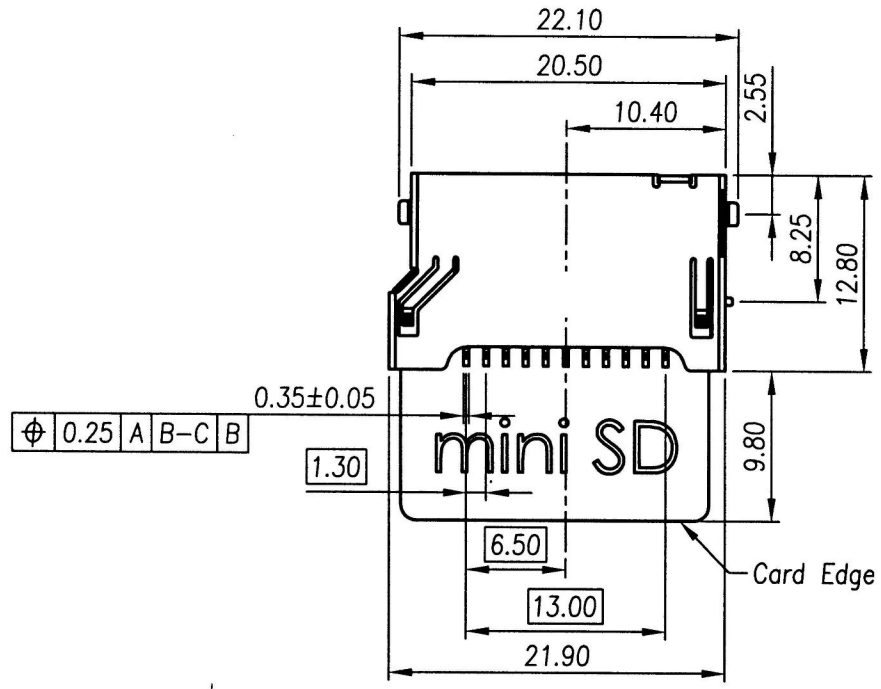


1 2 3 4 5 6 7 8

| REV | MODIFICATION | DATE     | DRAW |
|-----|--------------|----------|------|
| B   | EN-05-0226   | 02-22-94 | Gary |
|     |              |          |      |
|     |              |          |      |

F  
E  
D  
C  
B  
A

F  
E  
D  
C  
B  
A  
0



Ordering Information:

MDBMF-X12XXBXX1

PACKAGE:

- 0 : TRAY
- 1 : TAPE REEL

Contact Area Plating:

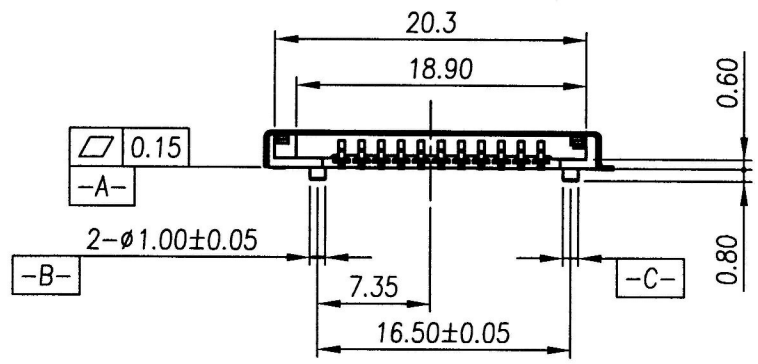
- 05-- 5u" Gold Plating
- 10-- 10u" Gold Plating
- 15-- 15u" Gold Plating

Plating Type:

- 0 : Tin-Lead 90/10
- T : Lead Free

0 : WITHOUT LOGO

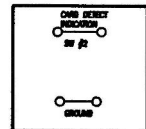
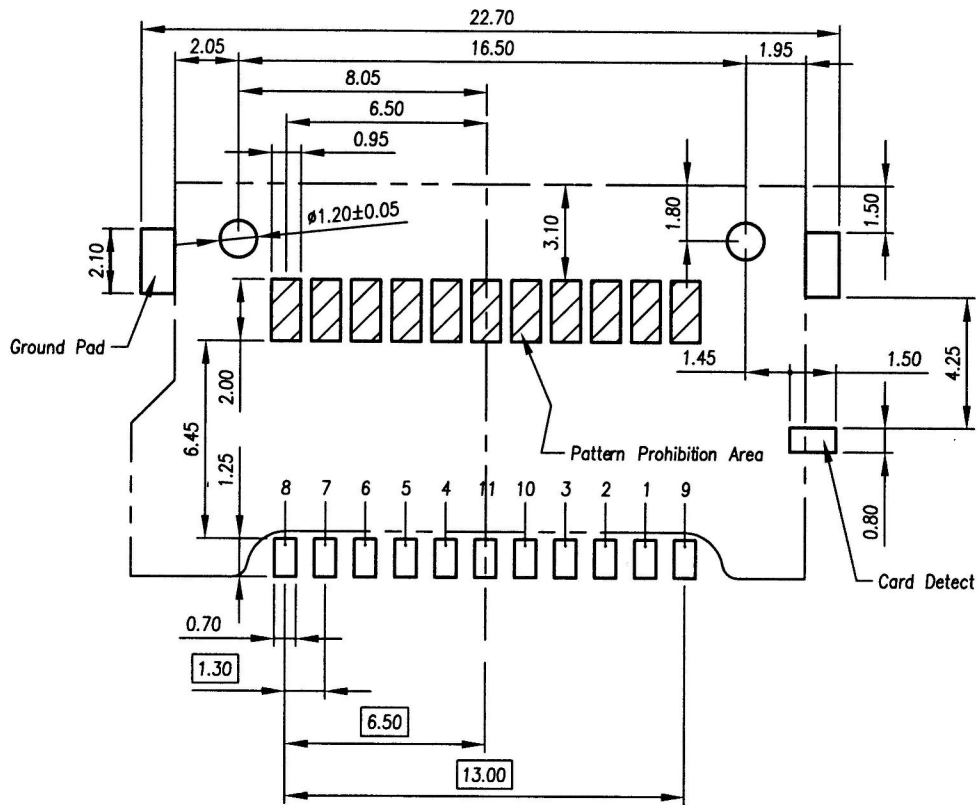
1 : WITH LOGO



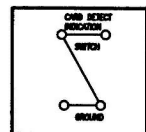
|                                      |      |                           |   |                         |
|--------------------------------------|------|---------------------------|---|-------------------------|
| DIMENSION IN mm [Inch]               |      | PROD. SPEC.<br>SP0082     |   |                         |
| TOLERANCE UNLESS OTHERWISE SPECIFIED |      | PKG. SPEC.<br>PPP-MDB-001 | <small>www.allconnectors.de<br/>Tel.: 0049 711 700503<br/>70726 Filderstadt - Germany<br/>info@allconnectors.de<br/>Fax: 0049 711 700504<br/>Kettnerstr. 25</small> |                         |
| .X±0.30                              | X.±  | APPROVE                   | TITLE<br>MINI SD CARD CONNECTOR<br>MANUAL TYPE  | CUSTOMER DRAWING        |
| .XX±0.20                             | .X±  | CHECK                     | FILE NO. KFP-082  | DWG NO. MDBMF-X12XXBXX1 |
| .XXX±0.05                            | .XX± | DRAW                      | SIZE<br>A4  | PROJ.  SHEET 1 / 2      |
|                                      |      |                           | SCALE<br>2:1  | REV<br>B                |

1 2 3 4 5 6 7 8 8F-01-R10

| REV | MODIFICATION | DATE     | DRAW |
|-----|--------------|----------|------|
| B   | EN-05-0226   | 02-22-94 | Gary |
|     |              |          |      |
|     |              |          |      |



WITHOUT CARD



CARD INSERTED

MINI-SD CARD

NOTES:

1. Material:

Housing: Thermoplastic UL94V-0

Color: Black

Contact: Phosphor Bronze.

Tin/Lead 100u" at Solder Tail, See "Ordering Information" for Contact Area Plating

Cover: Phosphor Bronze, Nickel plating for all.

| MINI-SD | NAME     |
|---------|----------|
| 1       | CD/DAT3  |
| 2       | CMD/DI   |
| 3       | VSS1     |
| 4       | VDD      |
| 5       | CLK/SCLK |
| 6       | VSS2     |
| 7       | DAT0     |
| 8       | DAT1     |
| 9       | DAT2     |
| 10      |          |
| 11      |          |

P.C.B Layout ( Top View )

|                                      |       |                            |  |                         |
|--------------------------------------|-------|----------------------------|--|-------------------------|
| DIMENSION IN mm [Inch]               |       | PROD. SPEC.<br>SP0082      | <br>www.allconnectors.de info@allconnectors.de<br>Tel.: 0049 /11 7009504 Fax: 0049 /11 7009504<br>A/754 Hilderstadt - Germany Kettnerstr. 25 |                         |
| TOLERANCE UNLESS OTHERWISE SPECIFIED |       | PKG. SPEC.<br>PPP-MDB-001  | TITLE MINI SD CARD CONNECTOR<br>MANUAL TYPE  |                         |
| .X±0.30                              | X.±   | APPROVE <i>[Signature]</i> | FILE NO. KFP-082   | DWG NO. MDBMF-X12XXBXX1 |
| .XX±0.20                             | .X.±  | CHECK <i>[Signature]</i>   | SIZE A4  | PROJ.  SHEET 2 / 2      |
| .XXX±0.10                            | .XX.± | DRAW <i>[Signature]</i>    | SCALE 2:1  | REV B                   |