

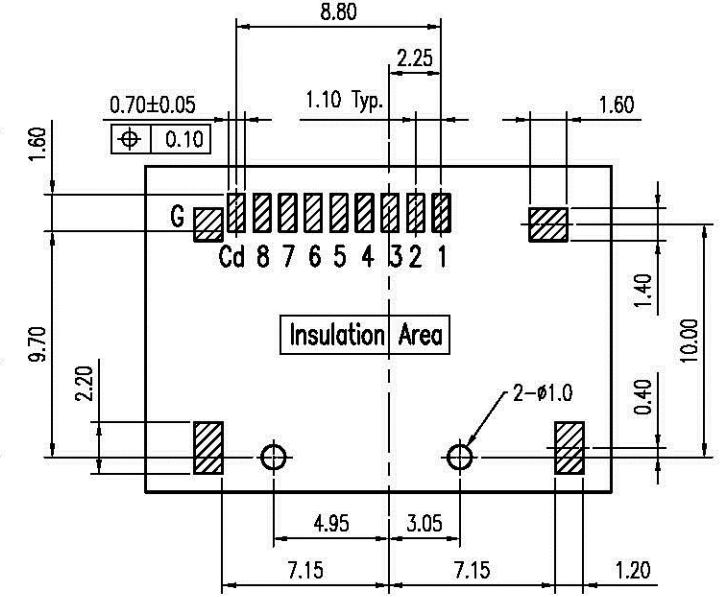
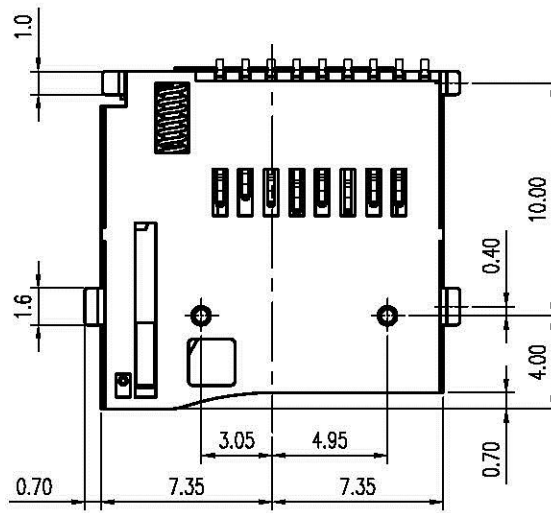
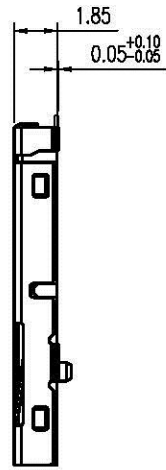
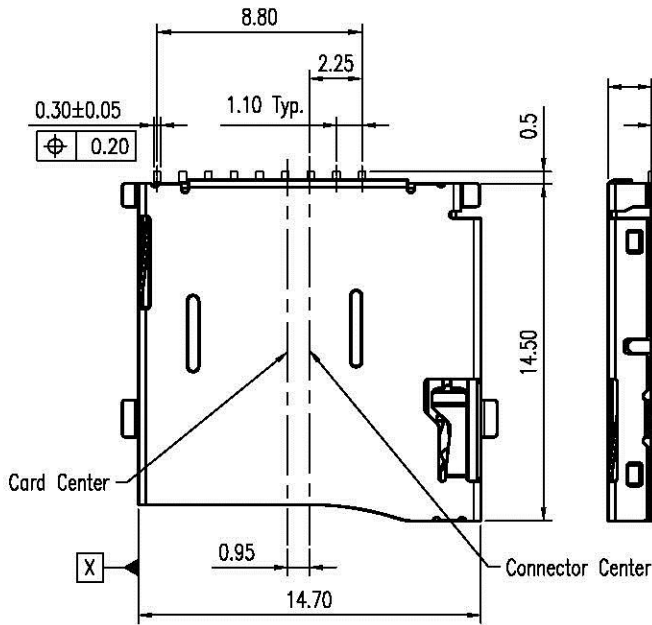
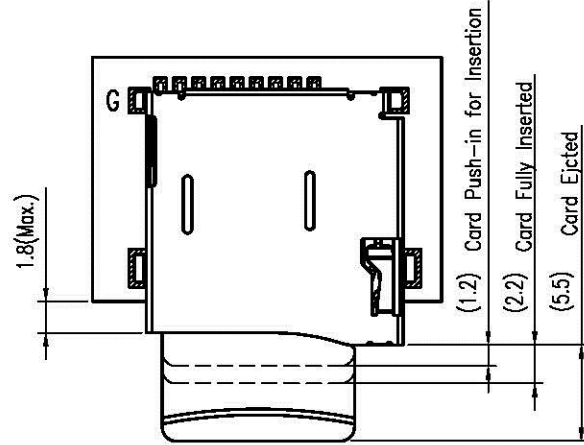
REV.	DESCRIPTION	ECN NO.	DATE	DRAWER
A	New Release		07/23/2008	Winnie
B	Modified Title/A x1	EC1005014	05/11/2010	Vic

Notes:

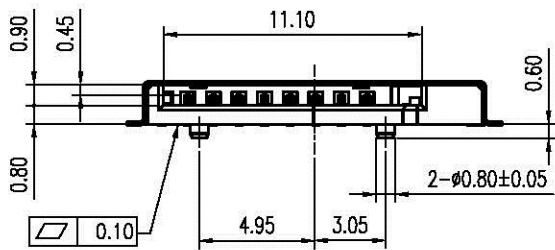
- Material :
Housing : Thermoplastic UL 94V-0, Black
Terminal : Copper Alloy
Shell : SUS304R-3/4H
Drag Link : SUS304
Spring : Piano Wire
- Finish :
Terminal : G/F Overall, 30u"Min.
Ni Under-plated.
- Order Information :
ZM90-15000-0BR1

Z: RoHS(for High Temperature)

Card Detection Switch	
When Card is Ejected	When Card is Inserted
Open	Close
Cd G	Cd G



Recommended P.C.B. Layout
Layout Tolerance = ± 0.05 mm



DIMENSION IN mm [inch]	
Tolerance unless otherwise specified	
X.	X.' ± 10'
X.X ± 0.38	X.X' ± 5'
X.XX ± 0.25	X.XX' ± 2'
X.XXX ± 0.15	X.XXX' ±

CEN 欣訊科技股份有限公司
CEN LINK CO., LTD.
CUSTOMER DRAWING

Title	Micro SD T-Flash Memory Card Conn.		
Dwg No.	ZM90-15000-0BR1		
File No.	Apprver:	Checker:	Scale: 3 : 1
Drawer: Vic	05/11/2010		Size: A 4
			Rev : B
			Sheet: 1 / 1