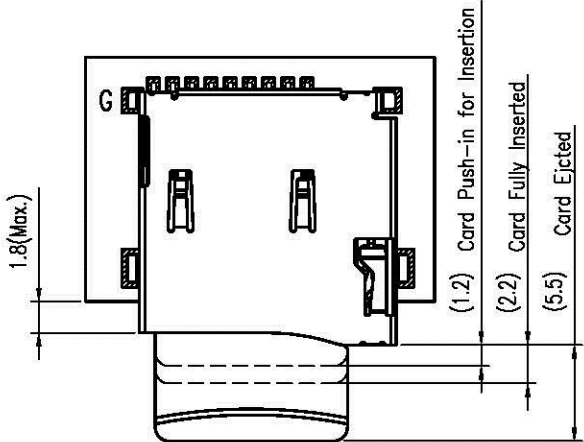
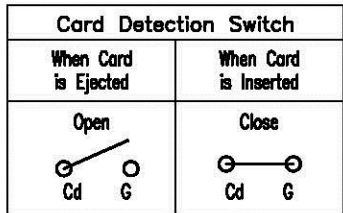
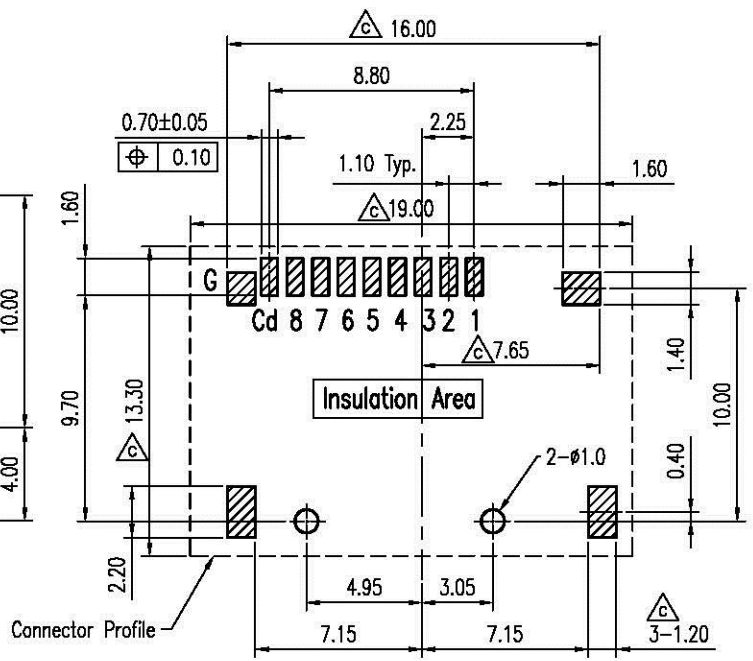
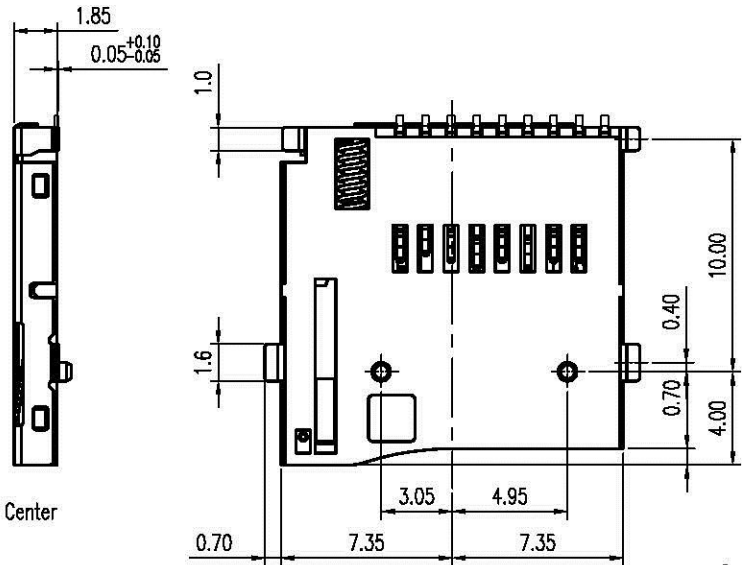
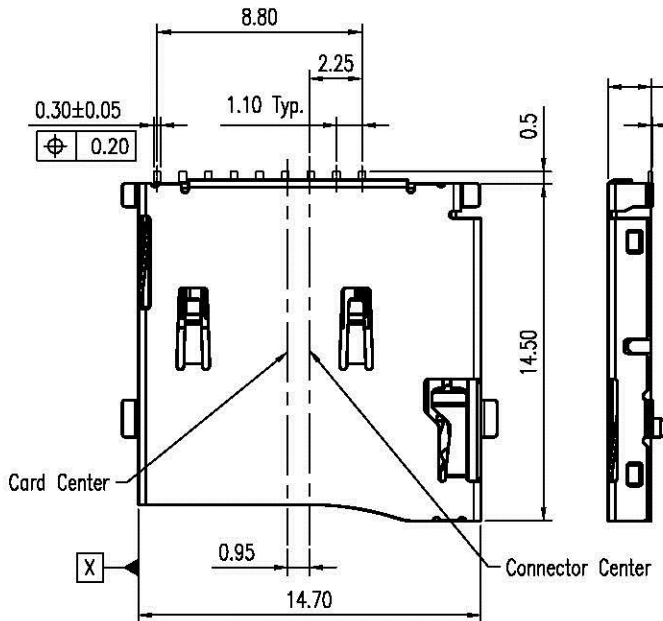


| PIN NUMBER | PIN ASSIGNMENT | PIN NUMBER | PIN ASSIGNMENT |
|------------|----------------|------------|----------------|
| 1 | DAT2 | 6 | VSS |
| 2 | CD/DAT3 | 7 | DAT0 |
| 3 | CMD | 8 | DAT1 |
| 4 | VDD | Cd | CARD DETECTION |
| 5 | CLK | G | GROUND |

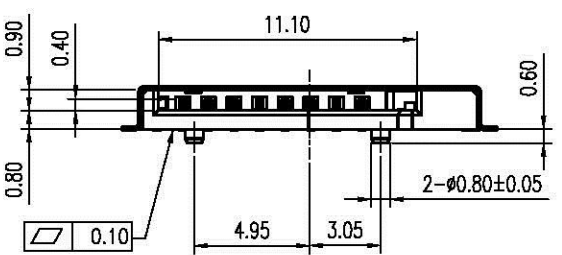


| REV. | DESCRIPTION | ECN NO. | DATE | DRAWER |
|------|---|-----------|------------|--------|
| A | New Released | | 12/04/2007 | Winnie |
| B | Modify by Customer Design $\Delta_B \times 1$ | EC0904017 | 04/08/2009 | Kevin |
| C | Added Dimension $\Delta_C \times 5$ | EC0911021 | 11/06/2009 | Jas |

- Notes:
- Material :
Housing : Thermoplastic UL 94V-0, Black
Terminal : Copper Alloy
Shell : SUS304R-3/4H
Drag Link : SUS304
Spring : Piano Wire
 - Finished :
Terminal : G/F Overall
 - Order Information :
ZM90-15000-OAR1
Z: RoHS(for High Temperature)



Recommended P.C.B. Layout
Layout Tolerance = ± 0.05 mm



| DIMENSION IN mm [inch] | | All Connectors | |
|--------------------------------------|-------------|------------------------|-----------------------|
| Tolerance unless otherwise specified | | www.allconnectors.com | |
| X. ± 0.38 | X.X' ± 10' | info@allconnectors.com | |
| X.XX ± 0.25 | X.XX' ± 5' | Tel: 0019 711 7008308 | Fax: 0019 711 7008304 |
| X.XXX ± 0.15 | X.XXX' ± 2' | 70742 P.O. Box 10000 | Kelowna, BC V1Y 9V6 |

| Title | Micor SD T-Flash Memory Card Conn. | Scale | 3 : 1 |
|----------|------------------------------------|---------|------------|
| Dwg No. | ZM90-15000-OAR1 | Size | A 4 |
| File No. | N/A | Rev | C |
| Apprver: | Checker: | Drawer: | Jas |
| | | Date: | 11/06/2009 |
| | | Sheet: | 1 / 1 |